

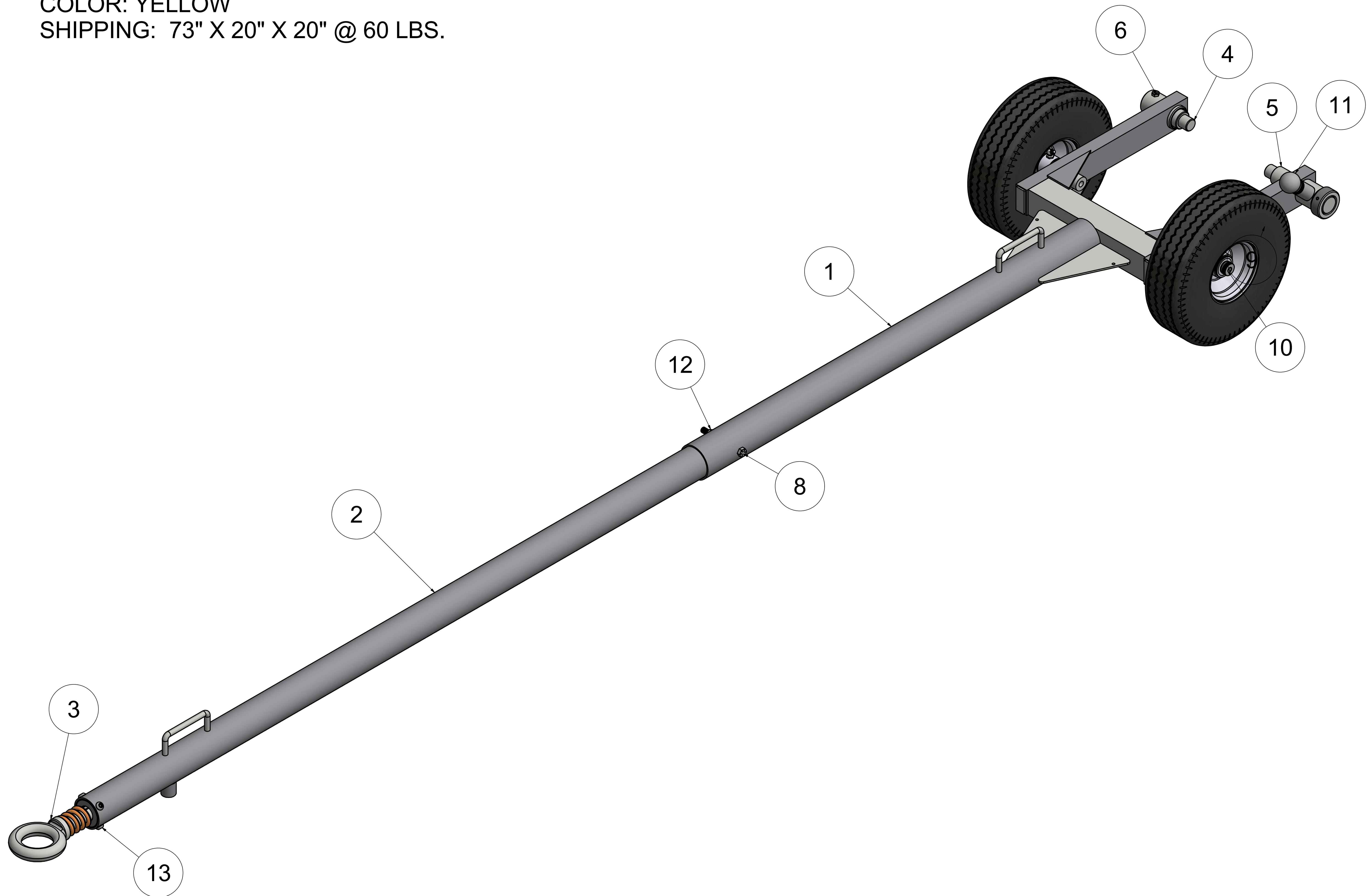
BAC

BRACKETT AIRCRAFT CO., INC.

BAC

7045 FLIGHTLINE DR.
KINGMAN, AZ 86401
928-757-4005
BRACKETTAIRCRAFT.COM

USE ON: PREMIER 1, HAWKER 400, DIAMOND
GTOW: 35,000 LBS.
LENGTH: 10'
COLOR: YELLOW
SHIPPING: 73" X 20" X 20" @ 60 LBS.



RL-DBJ1

ITEM	QTY	PART NUMBER	DESCRIPTION
1	1	RL-CIT1-02	YOKE ASSEMBLY
2	1	RL-05	TONGUE TUBE ASM.
3	1	RL-20	SHOCK RING ASSEMBLY
4	1	TY-BJ-02-00	PIN
5	1	RL-DBJ1-05	ADJUSTABLE PIN ASSEMBLY
6	1	91257A552	1/4-20 X 2 1/2 BOLT
7	1	90630A110	1/4-20 LOCKNUT
8	1	91286A264	3/8-24 X 3 1/2 BOLT
9	2	W-41040	TIRE/WHEEL ASSEMBLY
10	2	91259A806	5/8 DIA. 3" SHAFT 1/2-13 THREAD
11	1	90222A112	LOCKING PIN ASSEMBLY
12	1	97135A235	3/8-24 LOCK NUT
13	4	92949A578	5/16-18 X 1/2 BUTTON HEAD CAP SCREW S.S.