

RL-HAW1

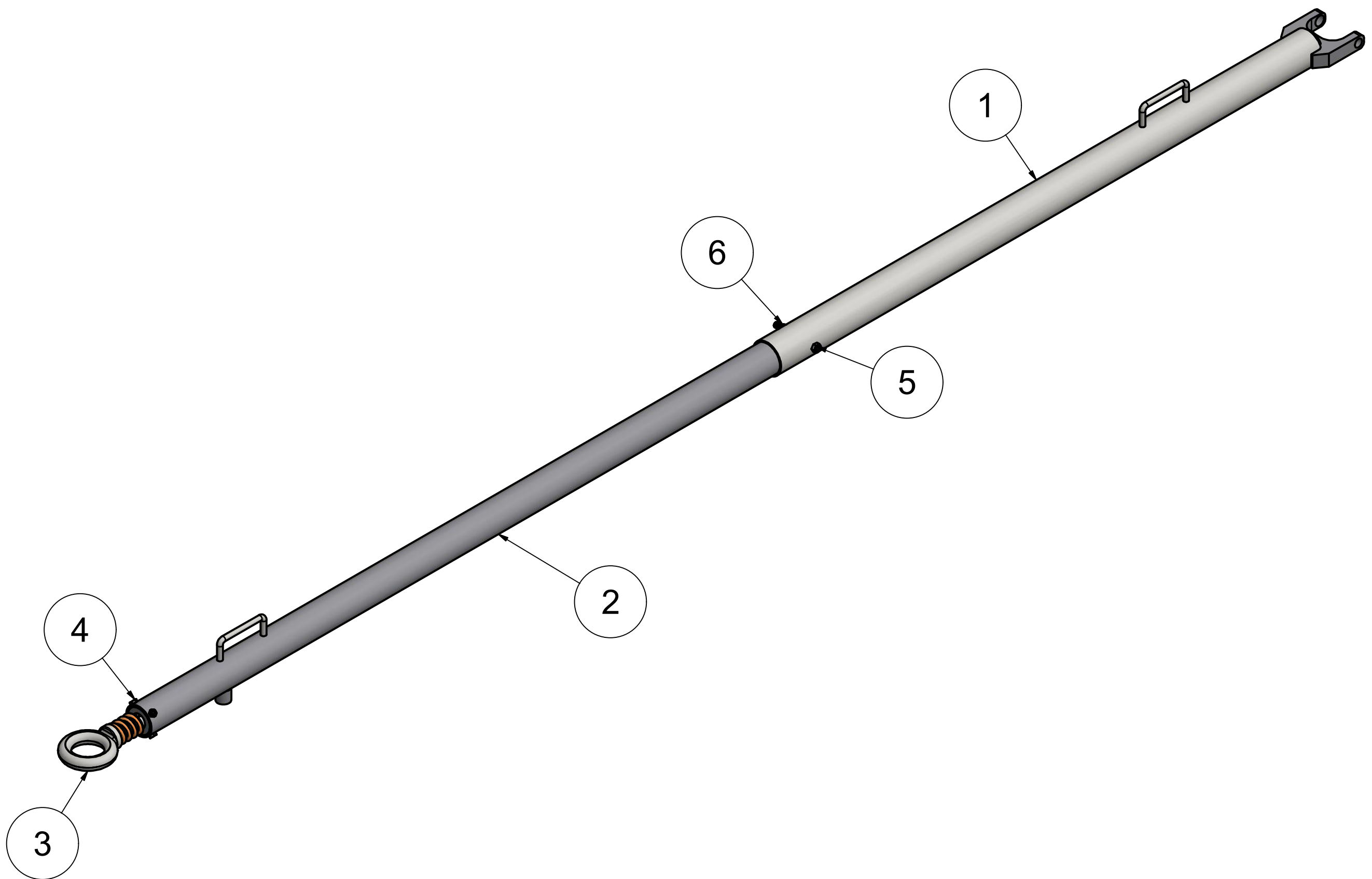
USE ON: HAWKER BEECHCRAFT 1000, HS-125, 400, 800, 850, 900

GTOW: 30,000 LBS.

LENGTH: 10'

COLOR: YELLOW

SHIPPING: 73" X 9" X 9" @ 51 LBS.



PARTS LIST

ITEM	QTY	PART NUMBER	DESCRIPTION
1	1	RL-HAW1-00	FRAME ASSEMBLY
2	1	RL-05	TONGUE TUBE ASM.
3	1	RL-20	RING HITCH ASSEMBLY
4	4	92620A537	1/4-20 X 1/2 BOLT
5	1	91286A264	3/8-24 X 3 1/2 BOLT
6	1	97135A235	3/8-24 LOCK NUT