

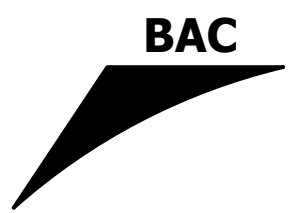
**BRACKETT AIRCRAFT COMPANY** INC.

[www.brackettaircraft.com](http://www.brackettaircraft.com)

## **BDW-206LR** DUAL WHEEL SET

USE ON: BELL LONG RANGER 206LR  
GTOW: 4,400 LBS.  
LENGTH: N/A  
COLOR: ORANGE  
SHIPPING: 1 BOX 53" X 15" X 15" @ 87 LBS.





# BRACKETT AIRCRAFT COMPANY INC.

www.brackettaircraft.com

## BDW-206LR DUAL WHEEL SET

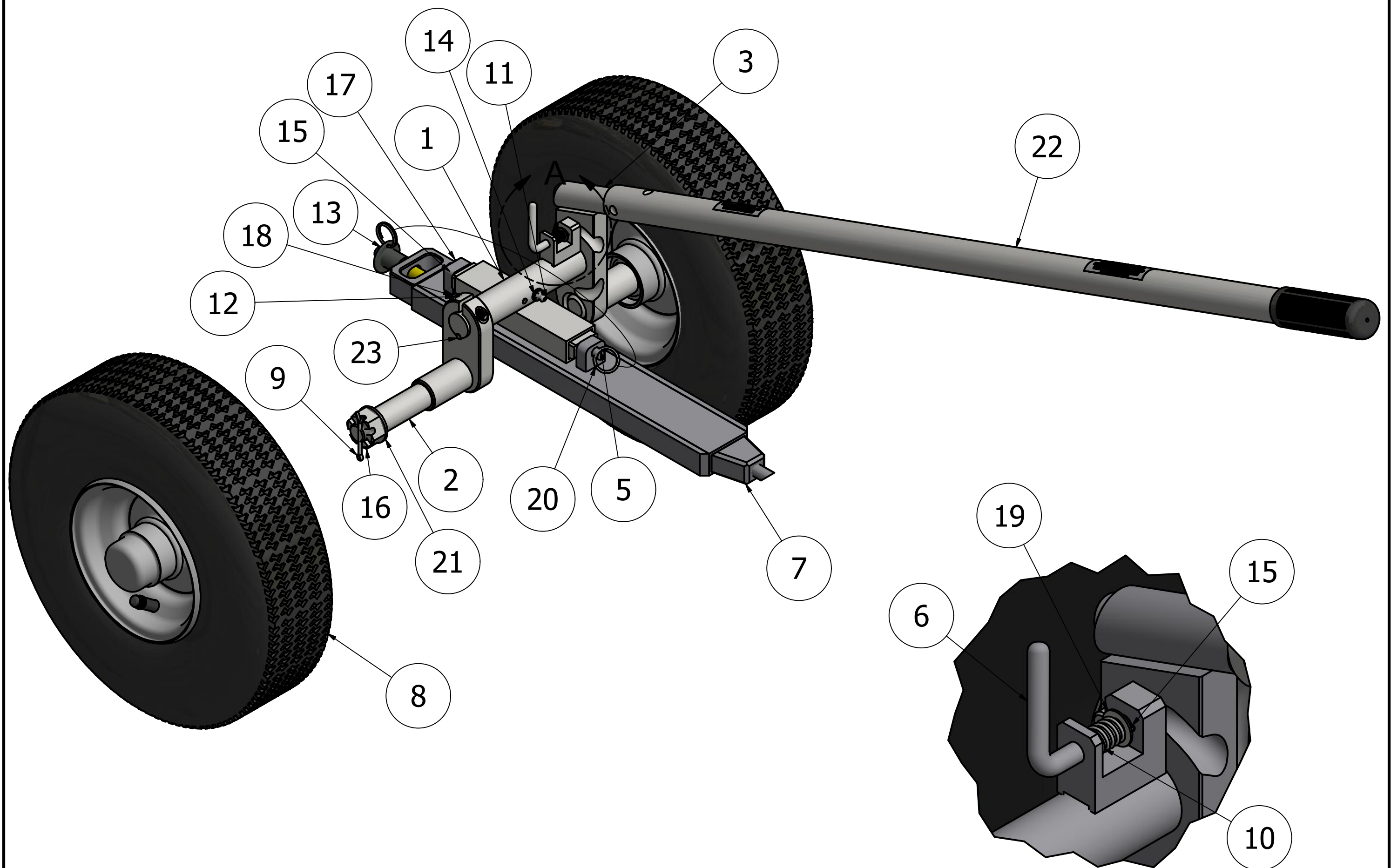
USE ON: BELL LONG RANGER 206LR

GTOW: 4,400 LBS.

LENGTH: N/A

COLOR: ORANGE

SHIPPING: 1 BOX 53" X 15" X 15" @ 87 LBS.



### PARTS LIST

ITEM	QTY	PART NUMBER	DESCRIPTION
1	1	W-U-133	WELDED ASSEMBLY
2	1	W-U-117	INNER ARM ASSEMBLY
3	1	W-U-118	LEFT OUTER ARM
4	1	W-U-119	RIGHT OUTER ARM (NOT SHOWN)
5	1	W-U-132	PICK UP ROD
6	1	W-U-101	L-PIN
7	1	W-CLR-00	WELDED CARRIER ASM.
8	2	W-53066	TIRE ASM.
9	2	98338A479	1/8 X 1 3/4 COTTER PIN
10	1	S-264	SPRING
11	1	1095K41	1/4-28 ZERK FITTING
12	1	94241A280	5/16 HIGH COLLAR LOCK WASHER S.S.
13	1	CL-8-BLPB-1.50-C	1/2 X 1 1/2 BALL LOCK PIN
14	1	94241A270	1/4 HIGH COLLAR LOCK WASHER S. S.
15	1	92373A143	3/32 X 1/2 ROLL PIN S.S.
16	2	95030A270	3/4-16 SLOTTED HEX NUT
17	1	92383A697	1/8 X 3/4 ROLL PIN S.S.
18	1	90128A138	5/16-18 X 1 3/8 SHCS
19	1	AN960-516L	5/16 NARROW WASHER
20	1	90177A218	1" O.D. 13/16" I.D. SPLIT RING
21	2	90126A036	3/4" SAE WASHER
22	1	W-U-110	HANDLE ASSEMBLY
23	1	98381A539	1/4 X 5/8 DOWEL PIN