

# BRACKETT AIRCRAFT COMPANY INC.

[www.brackettaircraft.com](http://www.brackettaircraft.com)

## **BDW-500M** MECHANICAL WHEEL SET

AIRCRAFT: MD500, MD520, MD530, OH6 & OH-58A, B, C

SPEC.: MECHANICAL

WT.: 62 LBS./SET

SHIPPING: 52" X 15" X 15" @ 83 LBS.

COLOR: POWDER COAT ORANGE

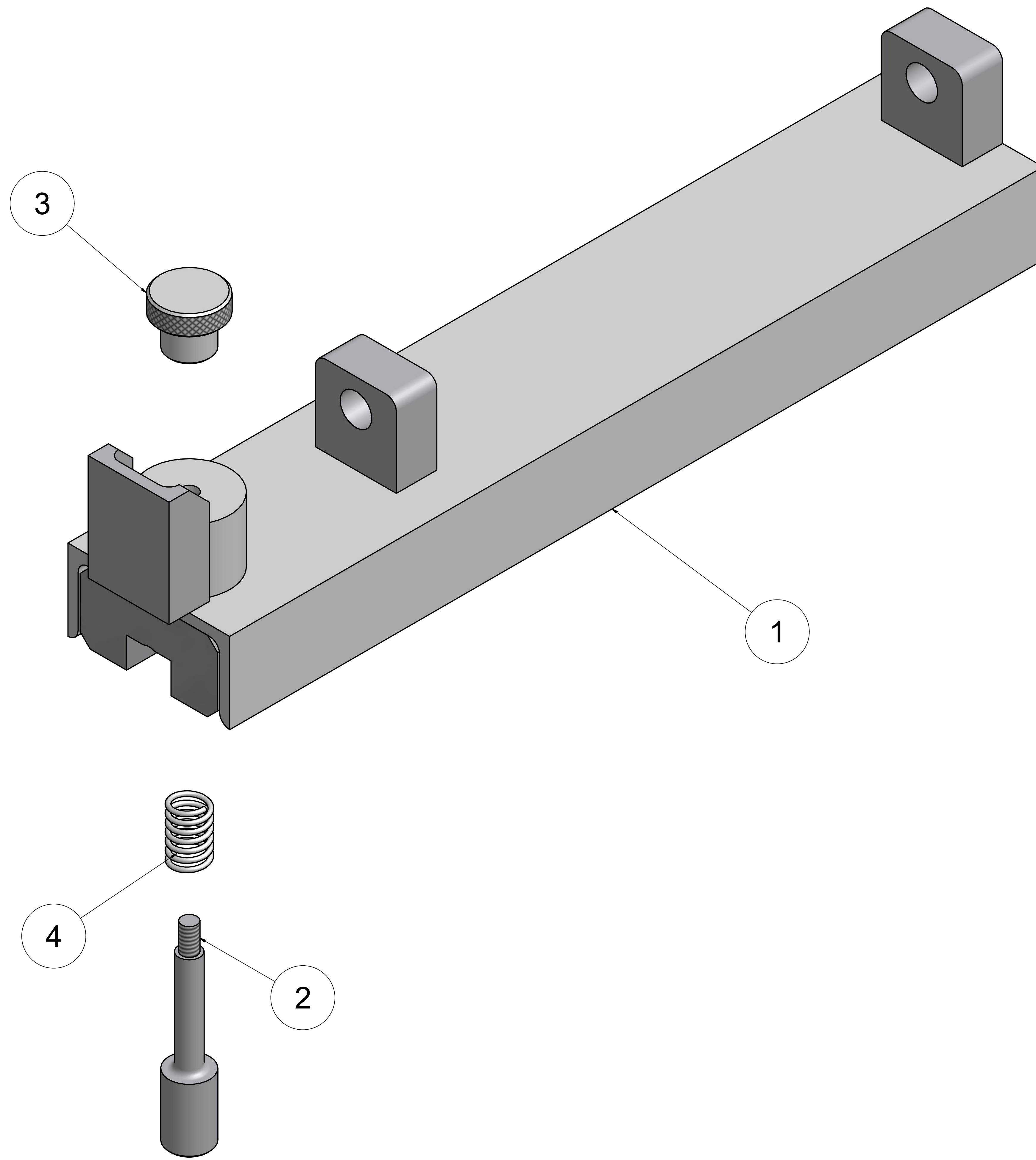


PRODUCED BY AN AUTODESK EDUCATIONAL PRODUCT

PRODUCED BY AN AUTODESK EDUCATIONAL PRODUCT





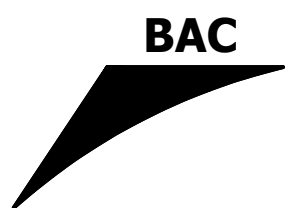


PRODUCED BY AN AUTODESK EDUCATIONAL PRODUCT

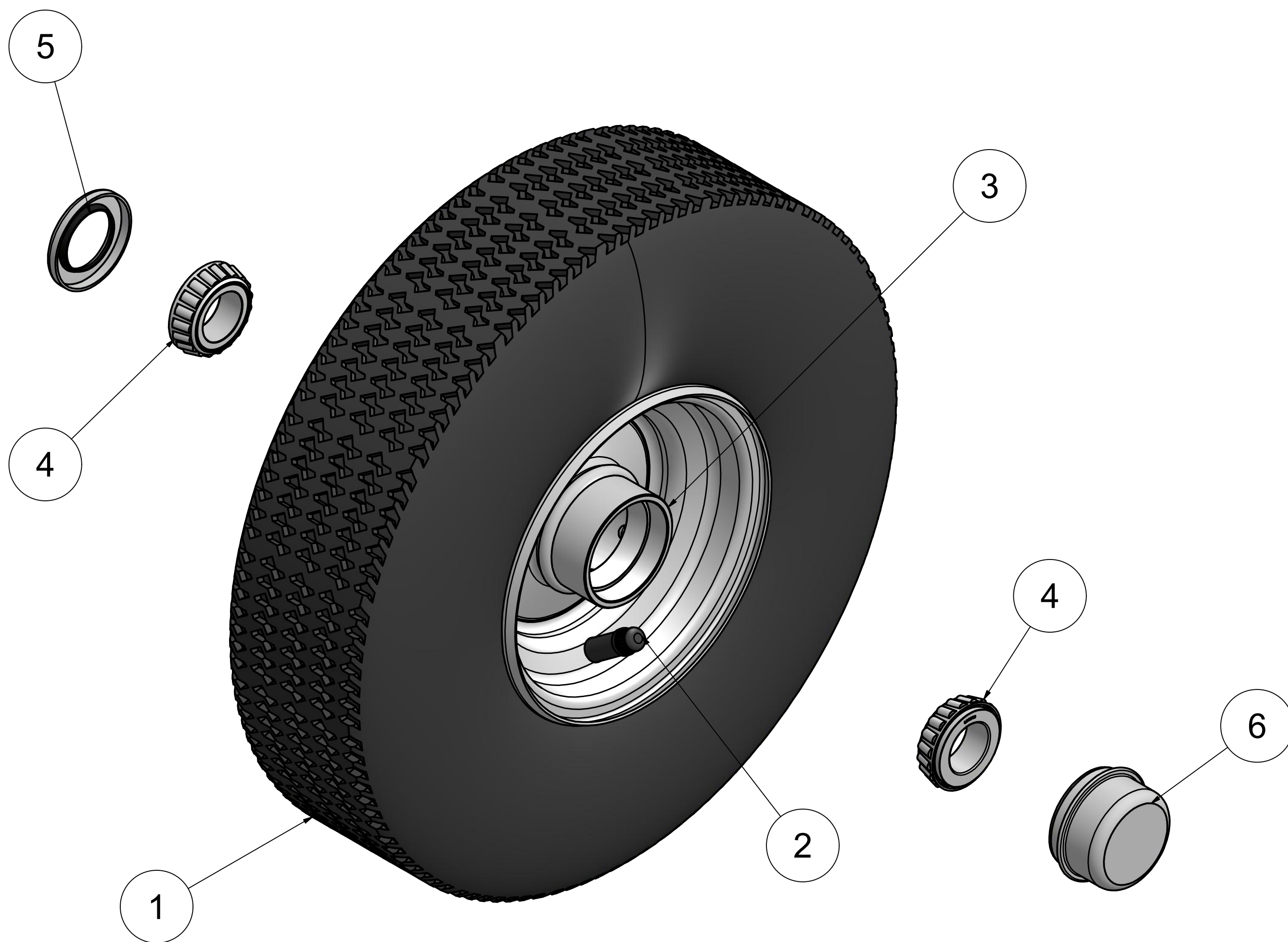
PRODUCED BY AN AUTODESK EDUCATIONAL PRODUCT

W-C500-00

ITEM	QTY	PART NUMBER	DESCRIPTION
1	1	W-500-05	CARRIER FRAME
2	1	W-500-07	PLUNGER STOP
3	1	40611071	KNOB
4	1	9657K304	SPRING



## W-53066 TIRE ASM.



### PARTS LIST

ITEM	QTY	PART NUMBER	DESCRIPTION
1	1	W-53066TR	W-5.30/4.50 X 6 6 PLY TIRE
2	1	W-53066TB	5.30/4.10-6 WITH TR-13 INNER TUBE
3	1	W-53066WH	WHEEL ASSEMBLY
4	2	L44643	TAPERED ROLLER BEARING
5	1	12192VB	GREASE SEAL
6	1	HC-1	HUB CAP