

# BRACKETT AIRCRAFT COMPANY INC.

www.brackettaircraft.com

## BDW-BELL-2A COMPLETE WHEEL SET

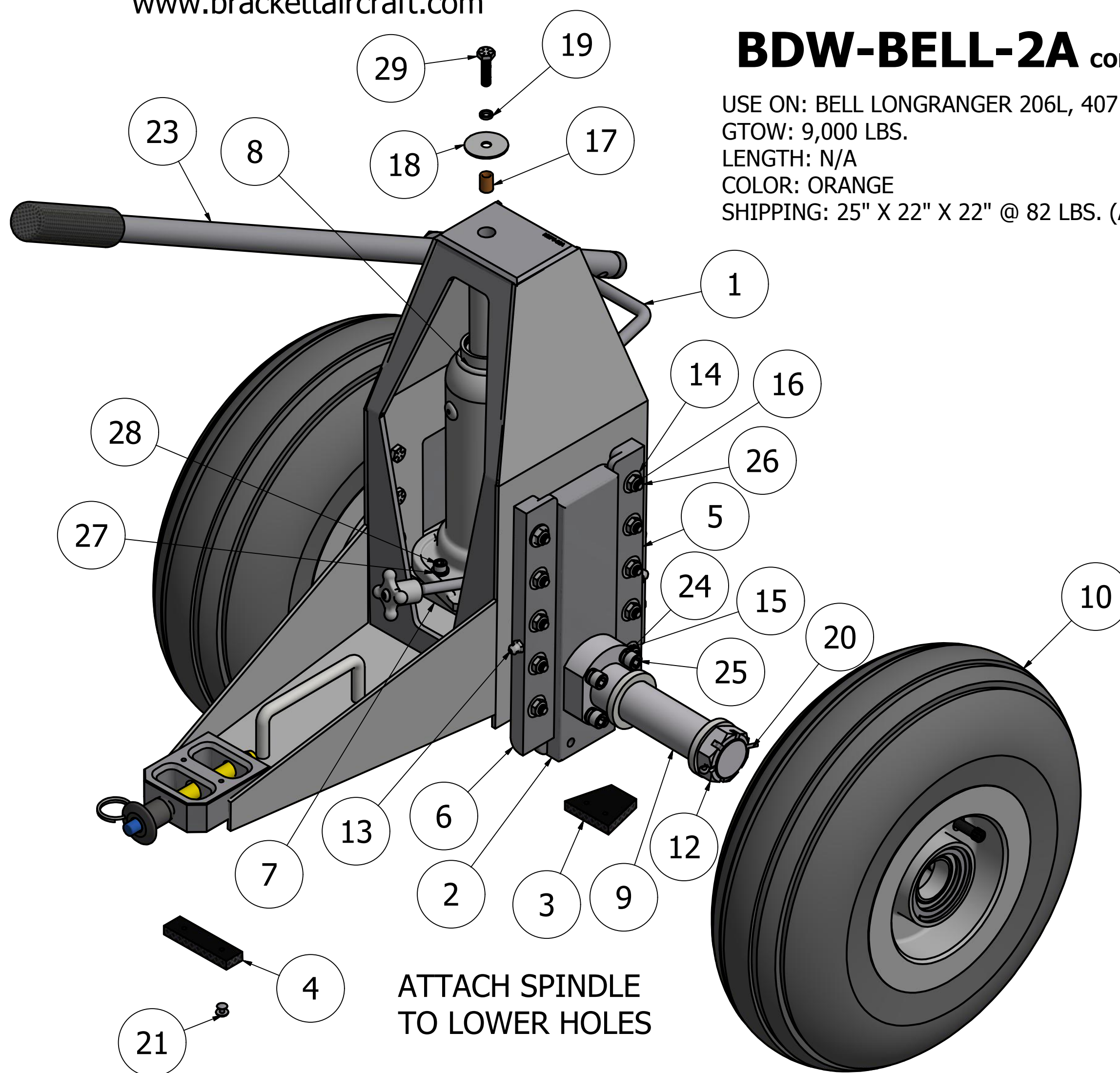
USE ON: BELL LONGRANGER 206L, 407

GTOW: 9,000 LBS.

LENGTH: N/A

COLOR: ORANGE

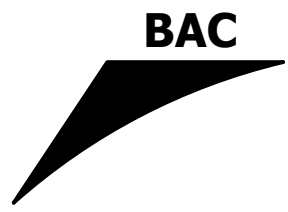
SHIPPING: 25" X 22" X 22" @ 82 LBS. (A SET IS TWO BOXES)



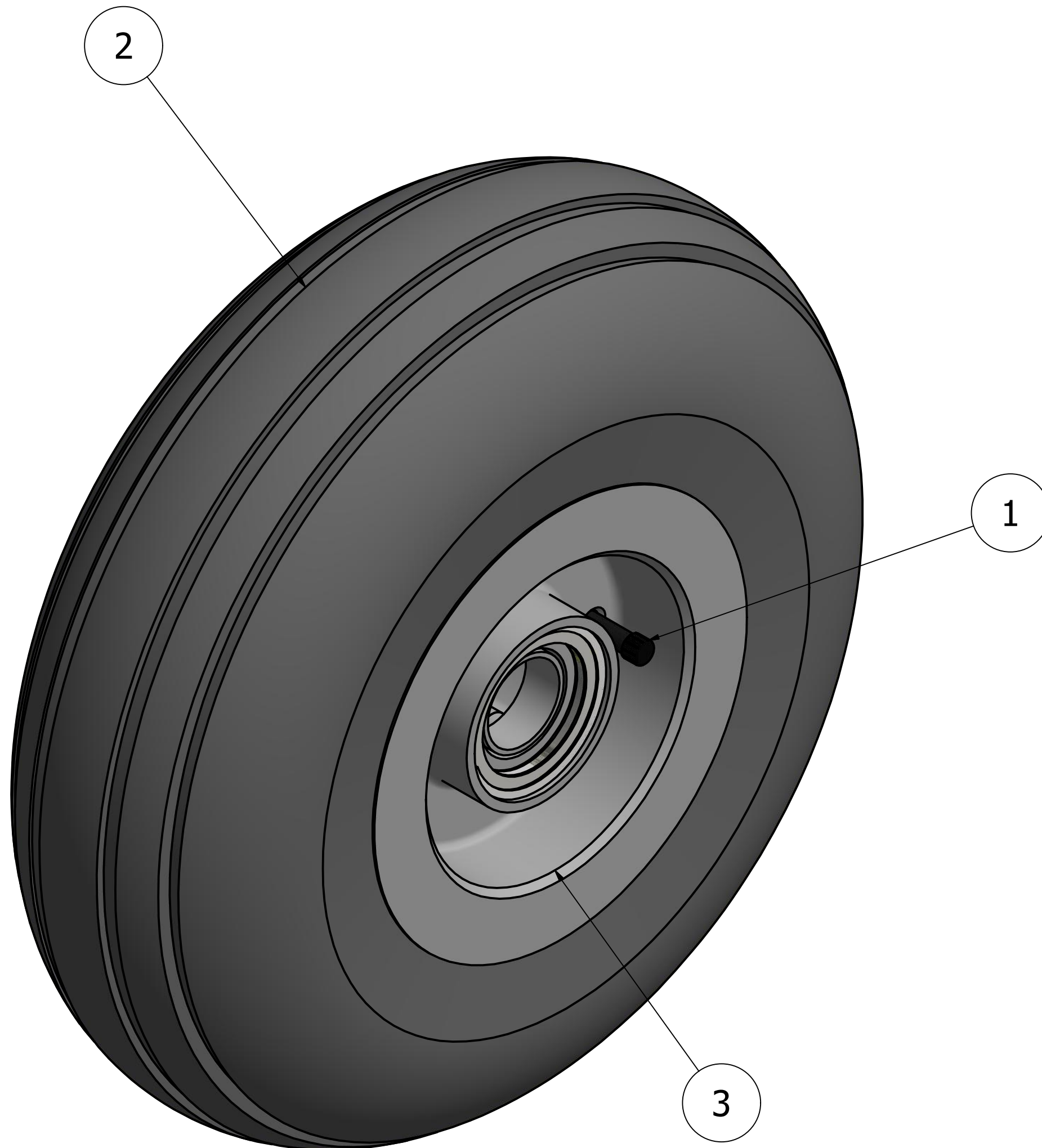
ATTACH SPINDLE  
TO LOWER HOLES

### PARTS LIST

ITEM	QTY	PART NUMBER	DESCRIPTION
1	1	W-BELL-00	WELDED FRAME ASM.
2	2	W-BELL-05	AXLE SLIDE
3	1	W-BELL-06	ROUGH BACK
4	1	W-BELL-07	ROUGH BACK
5	2	W-430-21	GUIDE
6	2	W-430-22	LEFT GUIDE
7	1	W-HUF-02	JACK BASE
8	1	W-HUF-03EB	JACK WITH BOLT KIT
9	2	W-245-17A	BASIC SPINDLE
10	2	W-500514	TIRE/WHEEL ASSEMBLY
11	4	W-245-19	RING
12	2	W-245-25A	CASTLE NUT
13	4	1095K41	1/4-28 ZERK FITTING
14	20	AN960-416L	5/16 WASHER
15	8	94773A772	SHIM S.S. 5/16 I.D. .060 THICK
16	20	90566A210	1/4-28 THIN HEX LOCKNUT
17	1	6391K132	1/4 I.D. 3/8 O.D. 1/2 HIGH BRONZE BUSHING
18	1	91090A109	1/4 X 1 1/4 FENDER WASHER
19	1	91102A029	1/4 LOCK WASHER
20	2	98338A479	1/8 X 1 3/4 COTTER PIN
21	4	97517A055	1/8 X 1/2 ALUM. POP RIVET
22	1	CL-8-BLPB-3.00	1/2 X 3 BALL LOCK PIN
23	1	W-HUF1-12	HANDLE ASSEMBLY
24	8	98437A112	5/16 HIGH COLLAR LOCK WASHER
25	8	90128A757	5/16-24 X 1 1/2 SHCS
26	20	91286A135	1/4-28 X 1 BOLT
27	2	94241A270	1/4 HIGH COLLAR LOCK WASHER S. S.
28	2	92196A540	1/4-20 X 3/4 SHCS S.S.
29	1	91286A111	1/4-20 X 1 BOLT

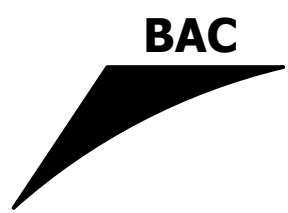


**W-500514** TIRE/WHEEL ASSEMBLY



PARTS LIST

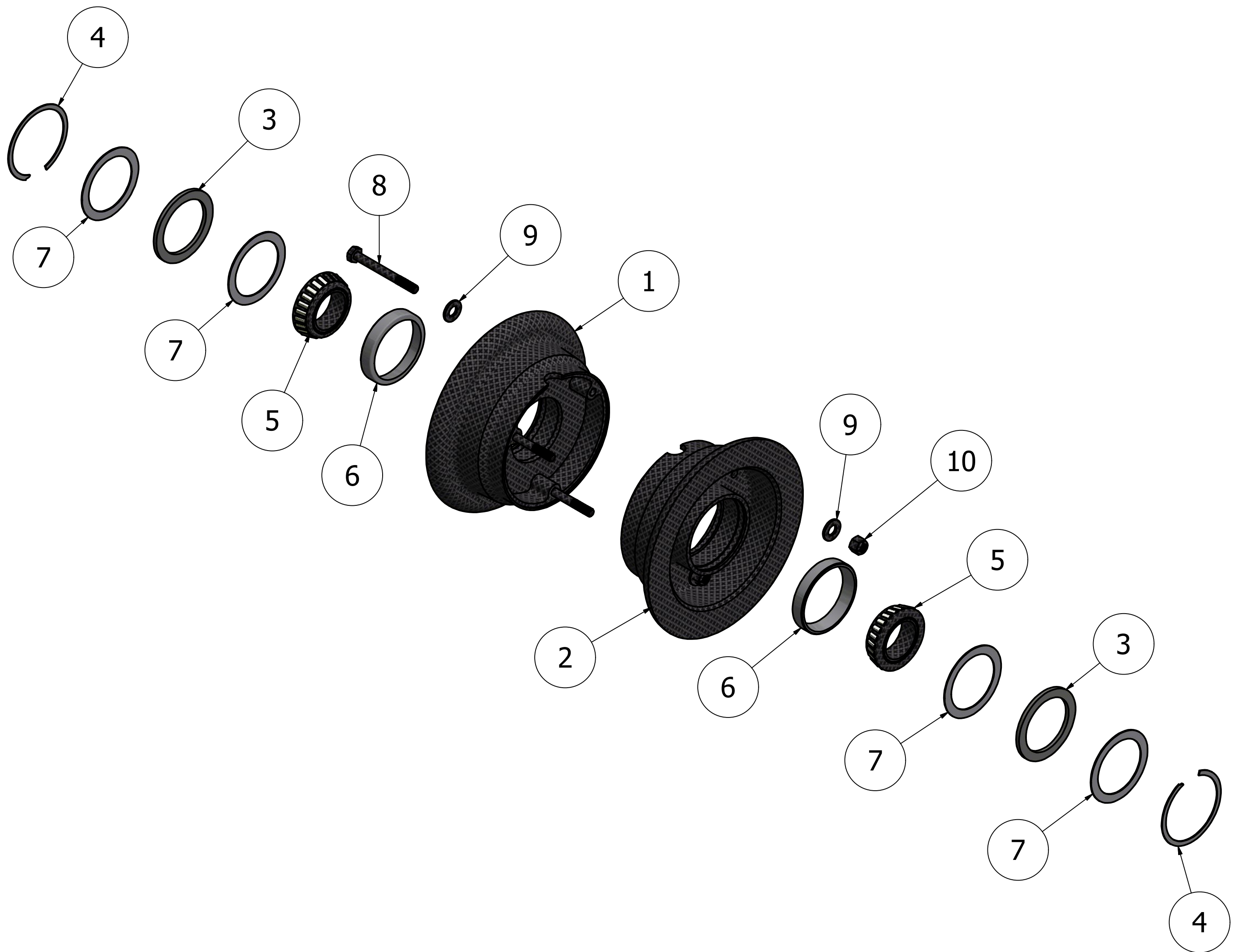
ITEM	QTY	PART NUMBER	DESCRIPTION
1	1	W-500514TB	INNER TUBE 5.00-5 WITH TR-67 VALVE
2	1	W-500514TR	5.00 X 5 14 PLY TIRE
3	1	W-500514WH	WHEEL ASSEMBLY



# BRACKETT AIRCRAFT COMPANY INC.

www.brackettaircraft.com

## W-500514WH WHEEL ASSEMBLY



### PARTS LIST

ITEM	QTY	PART NUMBER	DESCRIPTION
1	1	W-500514WH-2	OUTER WHEEL HALF
2	1	W-500514WH-1	INNER WHEEL HALF
3	2	4077-3	FELT WASHER
4	2	VH-237	SNAP RING
5	2	LM67048	BEARING
6	2	LM67010	BEARING CUP
7	4	C133502	2.372 O.D. 1.811 I.D. .031 WASHER S.S.
8	3	AN4-23A	1/4-28 X 2 13/32 CAD PLATED BOLT
9	6	AN960-416	5/16 WASHER
10	3	MS21045-4	1/4-28 LOCK NUT