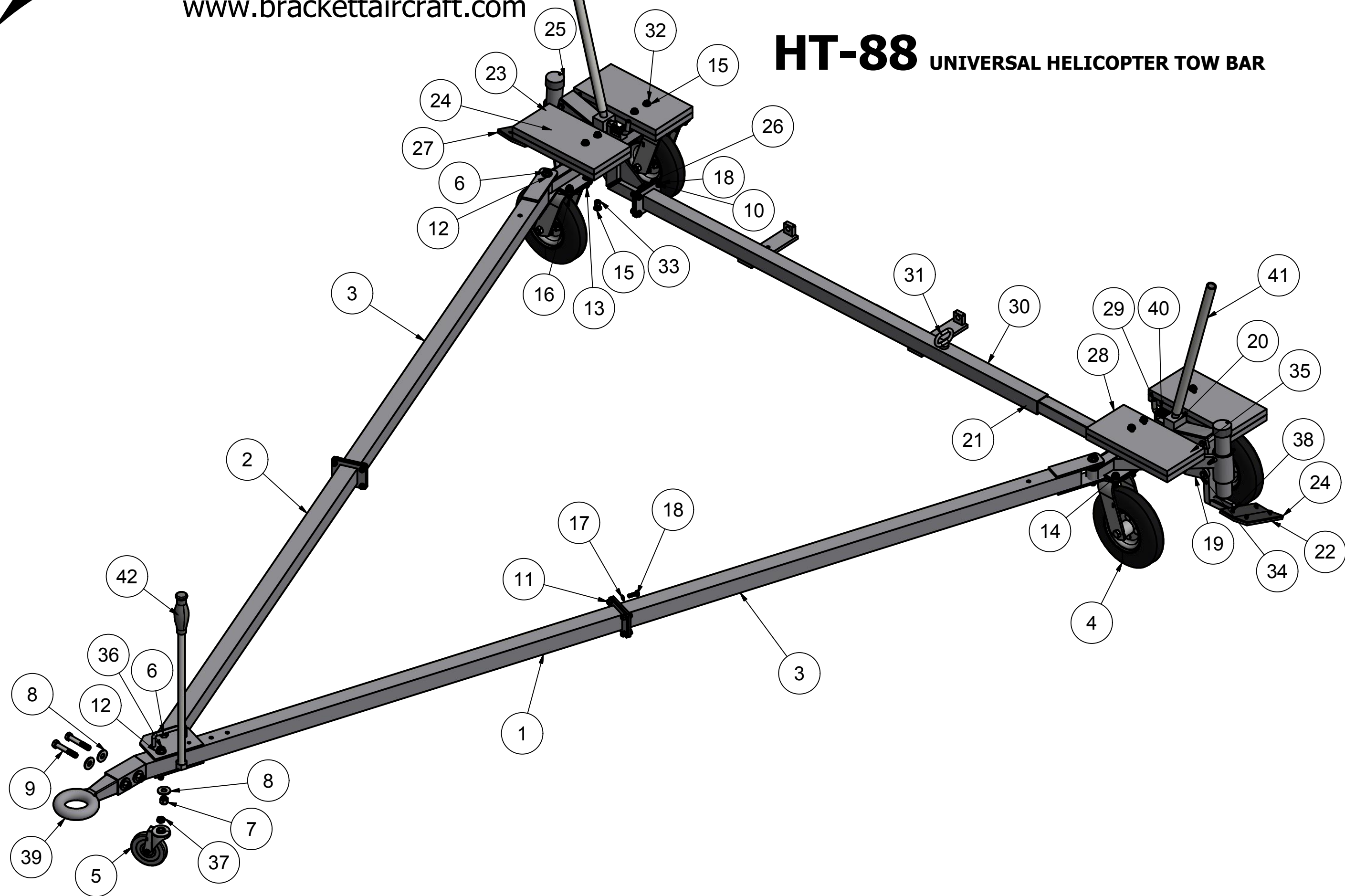


# BRACKETT AIRCRAFT COMPANY INC.

www.brackettaircraft.com

## HT-88 UNIVERSAL HELICOPTER TOW BAR



### PARTS LIST

ITEM	QTY	PART NUMBER	DESCRIPTION
1	1	H-7M8-10	YOKE ASM.
2	1	H-7M2-10	LEG ASM.
3	2	H-7M9-10	LEG ASM.
4	4	1080-520Z-PP1B-BL-S600-F28-S4	SOLID CASTER WHEEL (WHITE)
5	1	HM-101	CASTER WHEEL
6	3	91286A339	1/2-13 X 3 1/2 BOLT
7	5	90630A125	1/2-13 LOCKNUT
8	9	91081A033	1/2 U.S.S. WASHER
9	2	91247A724	1/2-13 X 3 BOLT
10	8	98180A120	5/16 WASHER
11	12	90630A115	5/16-18 LOCKNUT
12	5	91950A033	1/2 SAE WASHER
13	8	92865A626	3/8-16 X 1 1/4 BOLT
14	8	91286A204	3/8-16 X 1 1/2 BOLT
15	32	98180A130	3/8 SAE WASHER
16	16	92018A430	3/8-16 FLANGE NUT
17	16	AN960-516L	5/16 NARROW WASHER
18	12	91286A155	BOLT 5/16-18 X 1
19	4	HT88-06-00	LIFT STRAP
20	2	HT88-05-00	CAM ASSEMBLY
21	1	HT88-01-00	ARM WITH INNER SLIDER
22	1	HT88-04-00	LEFT LIFT ASSEMBLY
23	2	95165A041	
24	2	HT88-03-06	ROUGH BACK
25	2	HT88-08-00 REV A	PULL PIN
26	1	HT88-02-00	ARM
27	1	HT88-03-00	RIGHT LIFT ASSEMBLY
28	8	HT88-12	COUNTERWEIGHT
29	2	HT88-07-00	L-PIN
30	1	HT88-02-10	CROSS PIECE
31	1	92627A208	3/8 X 2 QUICK RELEASE PIN
32	8	91286A224	3/8-16 X 4 BOLT
33	8	90630A121	LOCKNUT 3/8-16
34	8	94622A238	3/8-24 X 2 53/64 DRILLED BOLT
35	8	AN310-6	3/8 CASTLE NUT
36	1	91286A342	BOLT 1/2-13 X 3 3/4
37	1	94945A224	1/2-13 THIN LOCKNUT
38	8	97517A055	3/16 X 1/4 RIVET
39	1	HT88-15	TOW RING
40	2	YY-33	SPRING
41	2	HT88-09-01	HANDLE TUBE
42	1	TY-TB-125-10-00	HANDLE