

BAC

BRACKETT AIRCRAFT CO., INC.

BAC

7045 FLIGHTLINE DR.
KINGMAN, AZ 86401
928-757-4005
BRACKETTAIRCRAFT.COM

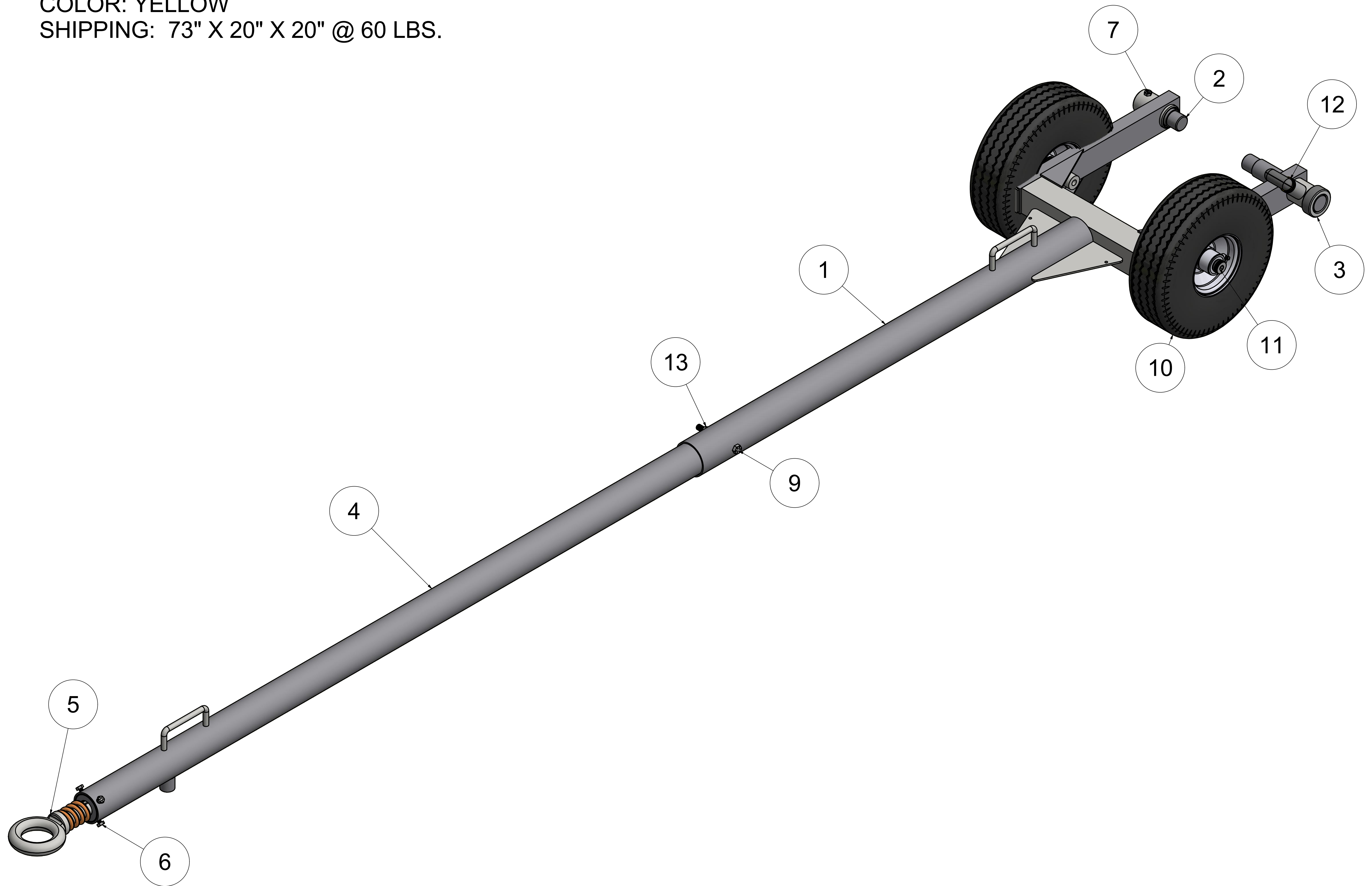
USE ON: CITATION I, II, V, CJ1, 2, 3, 510, 560'S AND ALL LEARS.

GTOW: 35,000 LBS.

LENGTH: 10'

COLOR: YELLOW

SHIPPING: 73" X 20" X 20" @ 60 LBS.



RL-CIT1

ITEM	QTY	PART NUMBER	DESCRIPTION
1	1	RL-CIT1-02	YOKE ASSEMBLY
2	1	TY-CL-04-00	PIN
3	1	RL-CIT1-03	PIN ASSEMBLY
4	1	RL-05	TONGUE TUBE ASM.
5	1	RL-20	SHOCK RING ASSEMBLY
6	4	92620A537	1/4-20 X 1/2 BOLT
7	1	91257A552	1/4-20 X 2 1/2 BOLT
8	1	90630A110	1/4-20 LOCKNUT
9	1	91286A264	3/8-24 X 3 1/2 BOLT
10	2	W-41040	TIRE/WHEEL ASSEMBLY
11	2	91259A806	5/8 DIA. 3" SHAFT 1/2-13 THREAD
12	1	90222A112	LOCKING PIN ASSEMBLY
13	1	97135A235	3/8-24 LOCK NUT