

BAC

BRACKETT AIRCRAFT CO., INC.

BAC

7045 FLIGHTLINE DR.
 KINGMAN, AZ 86401
 928-757-4005
 BRACKETTAIRCRAFT.COM

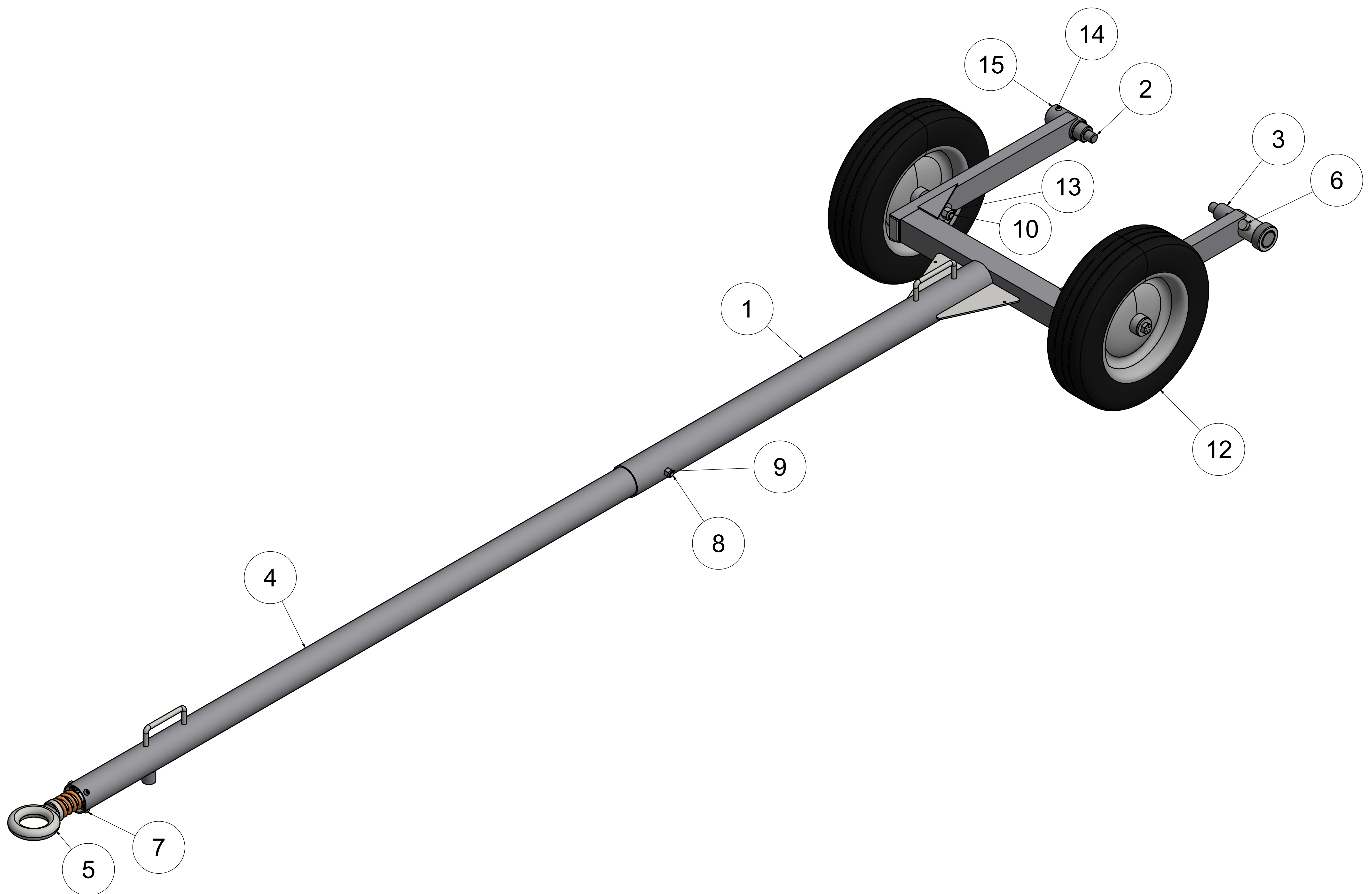
USE ON: VIKING AIR TWIN OTTER DHC-6 STANDARD GEAR

GTOW:

LENGTH: 10' 6"

COLOR:

SHIPPING: 89" X 29" X 7" @ 70 LBS.



RL-DHC-6SG

ITEM	QTY	PART NUMBER	DESCRIPTION
1	1	RL-DHC-6SG-01	YOKE ASSEMBLY
2	1	TY-MU-03	PIN
3	1	RL-DHC-6SG-05	PIN ASSEMBLY
4	1	RL-05	TONGUE TUBE ASM.
5	1	RL-20-PU	SHOCK RING ASSEMBLY
6	1	SL-375	VLIER PLUNGER
7	4	92949A537	1/4-20 X 1/2 BHCS
8	1	92949A876	3/8-24 X 3 BHCS
9	1	90630A155	3/8-24 LOCKNUT
10	2	91286A357	1/2-13 X 6 BOLT
11	4	91081A033	1/2 U.S.S. WASHER
12	2	W-40080	8" WHEEL SOLID TIRE
13	2	90630A125	1/2-13 LOCKNUT
14	1	92949A550	1/4-20 X 2 BHCS S.S.
15	1	90630A110	1/4-20 LOCKNUT