

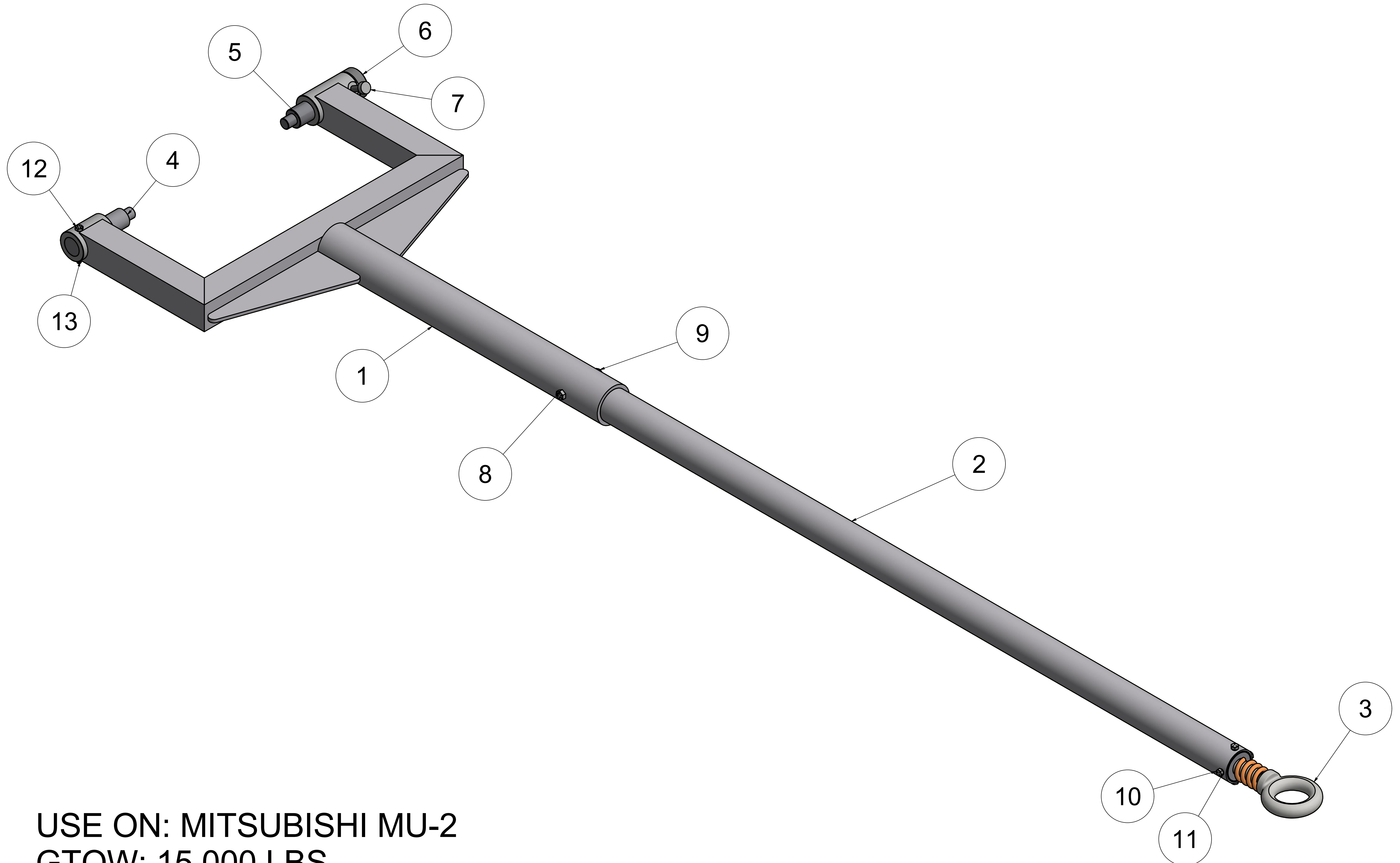
BAC

BRACKETT AIRCRAFT CO., INC.

BAC

7045 FLIGHTLINE DR.
KINGMAN, AZ 86401
928-757-4005
BRACKETTAIRCRAFT.COM

RL-MIT1CA ALUMINUM CARRY ALONG TOW BAR WITH 2" SHOCK RING



USE ON: MITSUBISHI MU-2
GTOW: 15,000 LBS.
LENGTH: 8'
COLOR: YELLOW
SHIPPING: 38" X 20" X 30" @ 40 LBS.

RL-MIT1CA

ITEM	QTY	PART NUMBER	DESCRIPTION
1	1	RL-MI-01-00	FRAME
2	1	RL-MI-02-00	TONGUE TUBE
3	1	RL-20	SHOCK RING
4	1	RL-MI-03	STATIONARY PIN
5	1	RL-MI-04	STATIONARY PIN
6	1	TY-KR-125	KNOB
7	1	VLIER PLUNGER	VLIER PLUNGER
8	1	91257A462	3/8-24 X 3 1/4 BOLT
9	1	97135A235	3/8-24 LOCK NUT
10	4	92865A542	1/4-20 X 1 BOLT
11	4	91102A029	1/4 LOCK WASHER
12	1	91257A552	1/4-20 X 2 1/2 BOLT
13	1	90630A110	1/4-20 LOCKNUT