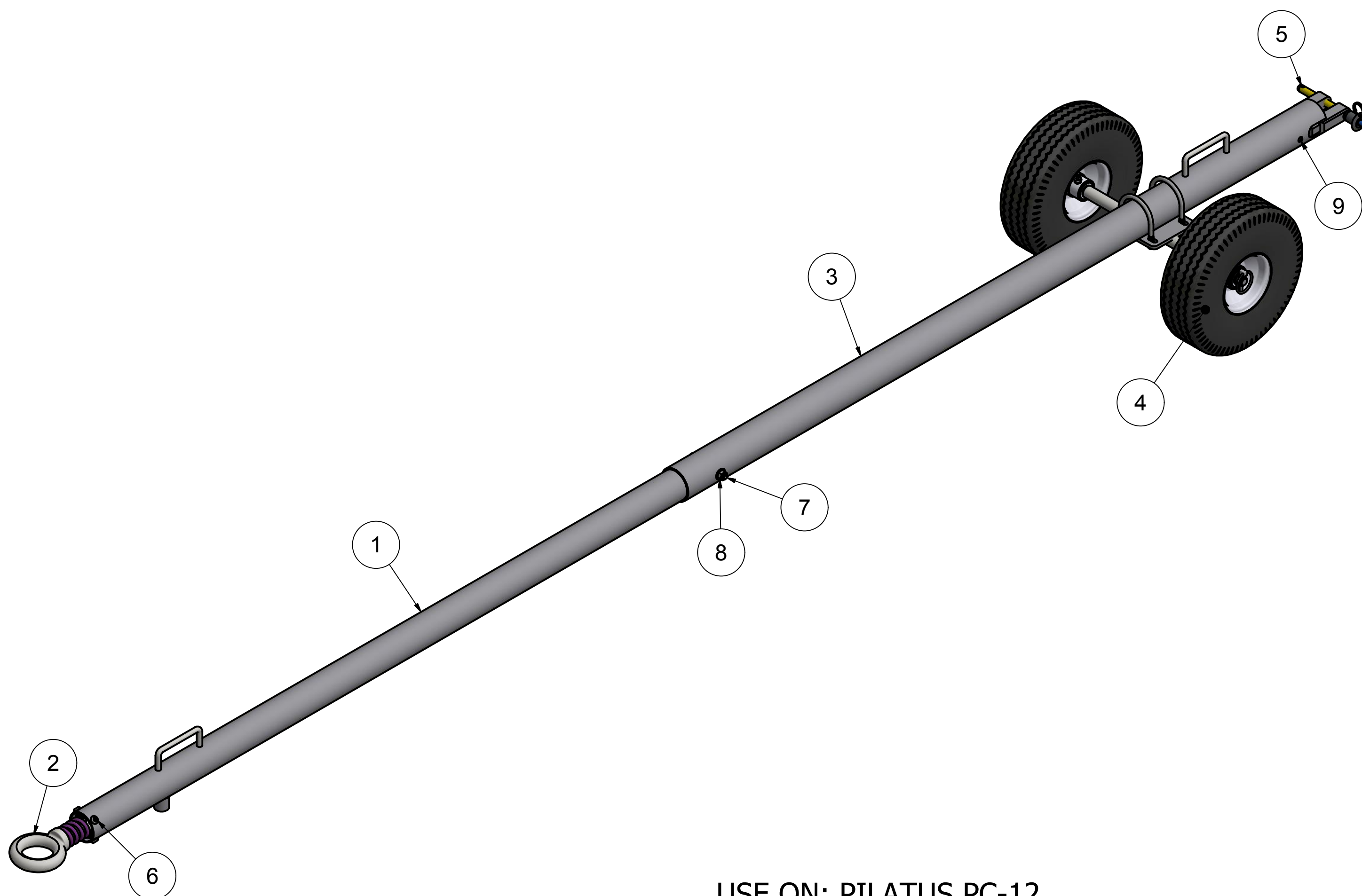


## RL-PIL1 TOW BAR

STEEL TOW BAR WITH SHOCK RING AND WHEELS



USE ON: PILATUS PC-12  
GTOW: 20,000 LBS.  
LENGTH: 10'  
COLOR: YELLOW  
SHIPPING: 72" X 13" X 13" @ 64 LBS.

### PARTS LIST

ITEM	QTY	PART NUMBER	DESCRIPTION
1	1	RL-05	TONGUE TUBE ASM.
2	1	RL-20PU	RING HITCH ASSEMBLY
3	1	RL-PIL1-02	TUBE ASM.
4	1	RL-4W	WHEEL KIT
5	1	CLM-12-BLPB-100-C	12 mm X 100 mm BALL LOCK PIN
6	4	92949A578	5/16-18 X 1/2 BUTTON HEAD CAP SCREW S.S.
7	1	91257A636	3/8-16 X 3 BOLT
8	1	92018A430	3/8-16 FLANGE LOCKNUT
9	1	92949A240	10-24 X 3/8 BHCS S.S.