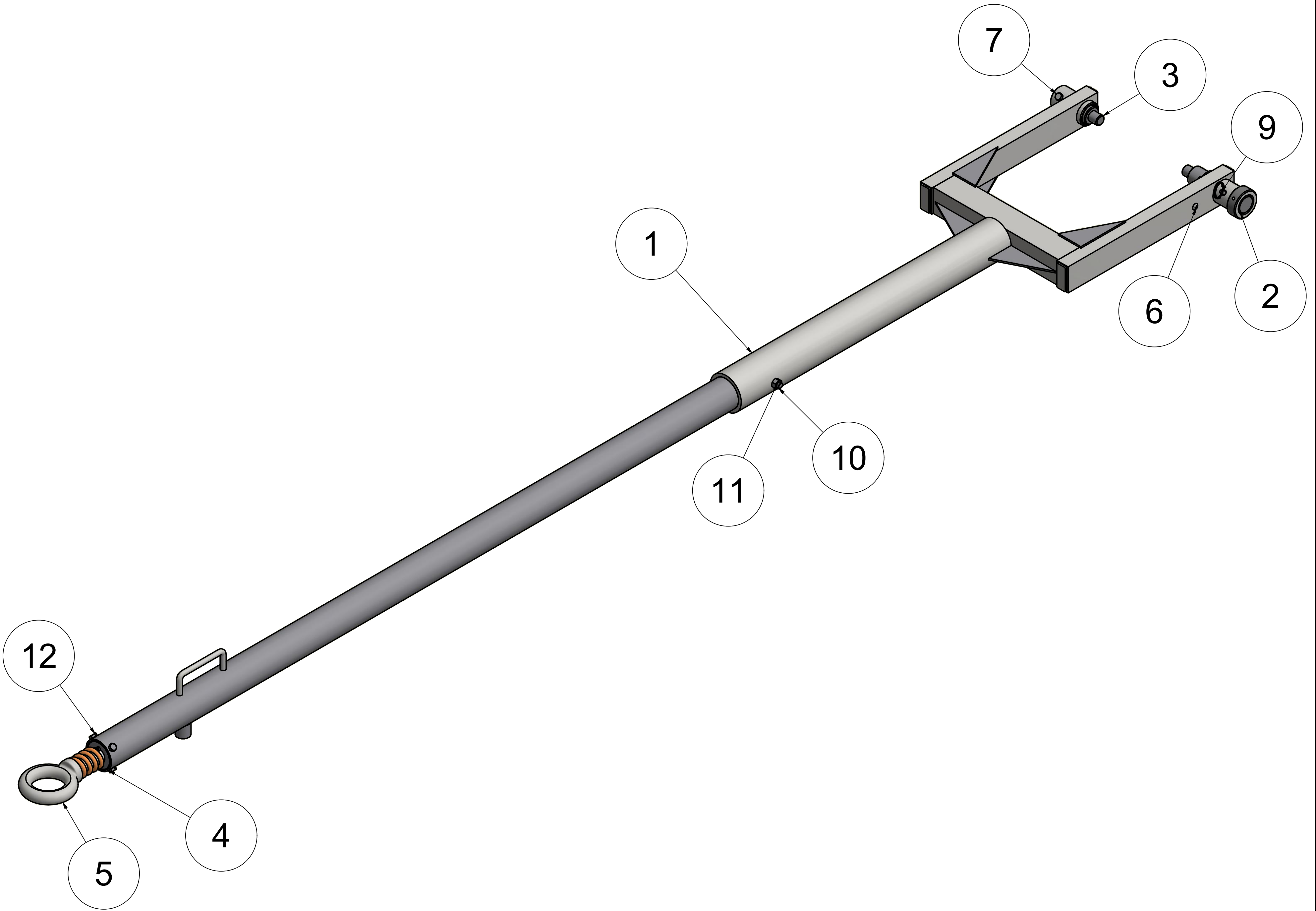


USE ON: AERMACCHI S211
 GTOW: 10,000 LBS.
 LENGTH: 8 1/2'
 COLOR: YELLOW
 SHIPPING: 38" X 31" X 30" @ 60 LBS.



SIAI-MARCHETTI / AERMACCHI S211

S/N 005-UP

NOV 2012

RL-S211

ITEM	QTY	PART NUMBER	DESCRIPTION
1	1	RL-S211-00	YOKE
2	1	TY-SK-01-00	PIN
3	1	TY-SK-02-00	PIN
4	1	RL-05	TONGUE TUBE ASM.
5	1	RL-20-00	SHOCK RING
6	1	10-32 X 5/8	SCREW
7	1	1/4-20 X 2	BOLT
8	1	1/4-20	NUT
9	1	1/4 X 1.7	PIN
10	1	3/8-24 X 3 1/4	BOLT
11	1	3/8-24	LOCK NUT
12	4	1/4-20 X 1	BOLT