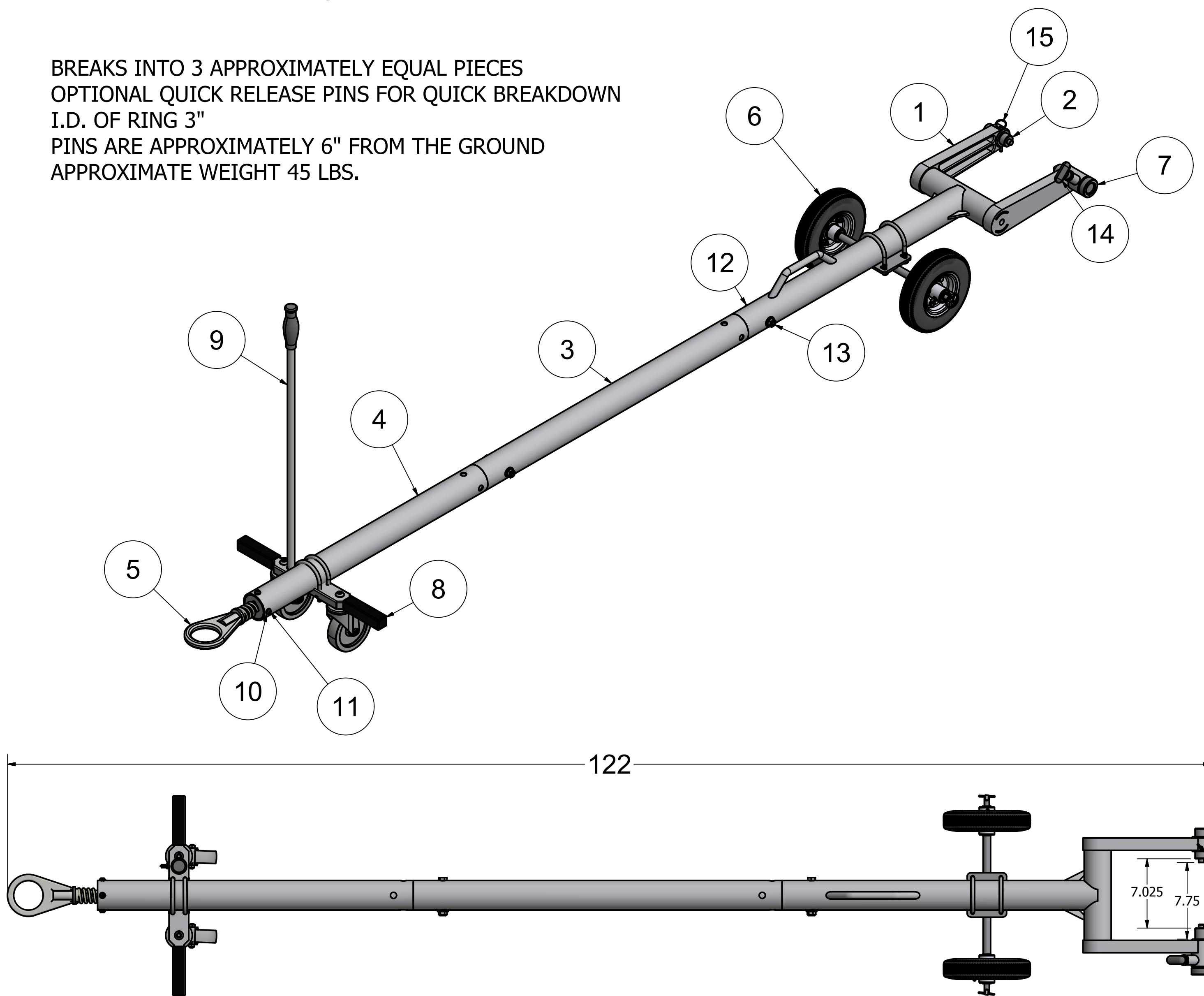


RL-UAV1 REV A TOW BAR ASSEMBLY

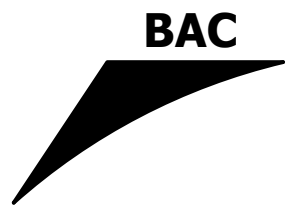
ELBIT SYSTEM

USE ON: ELBIT UAV1
 GTOW: 25,000 LBS.
 LENGTH: 120"
 COLOR: YELLOW
 SHIPPING: 53" X 15" X 15" @ 50 LBS.

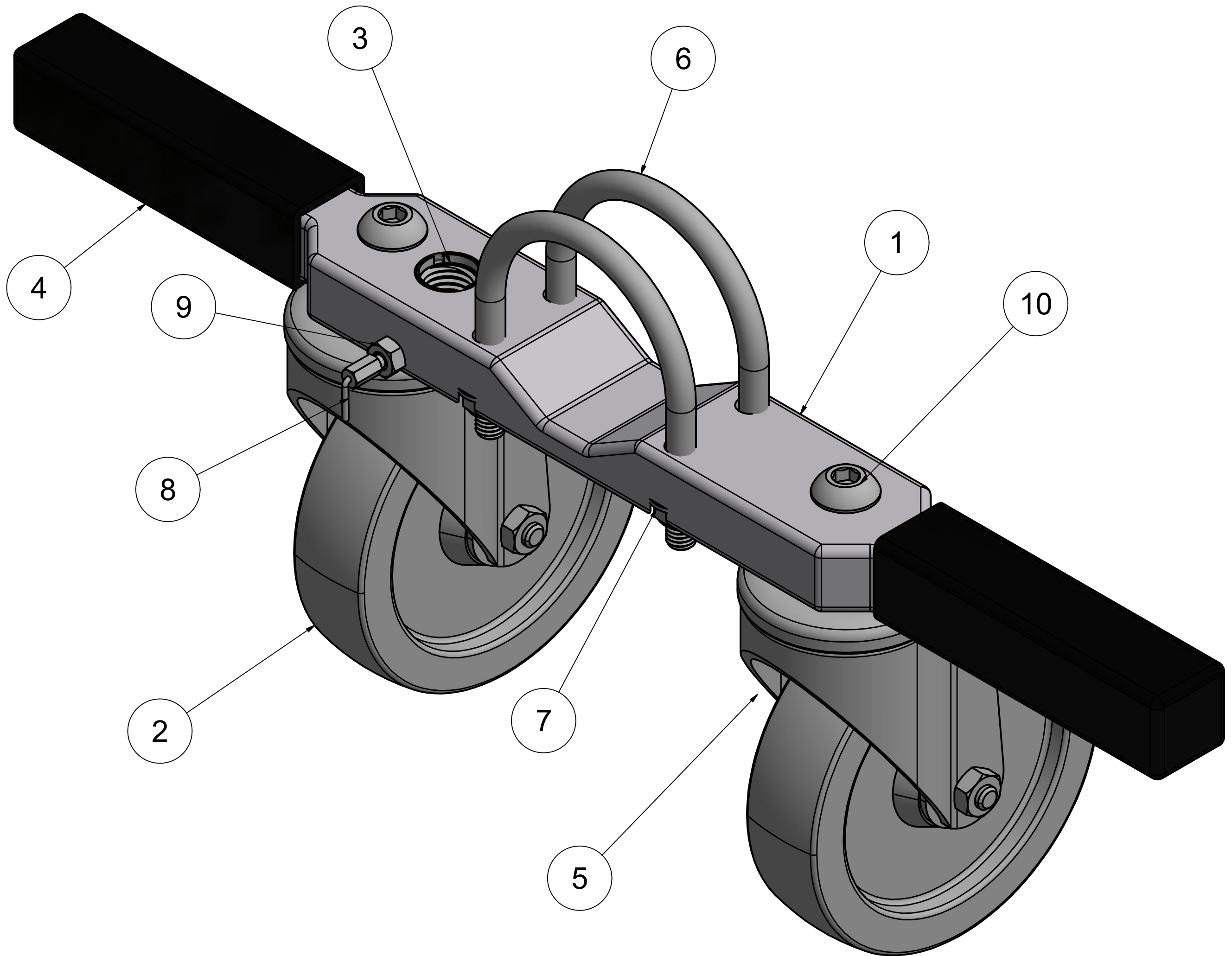
BREAKS INTO 3 APPROXIMATELY EQUAL PIECES
 OPTIONAL QUICK RELEASE PINS FOR QUICK BREAKDOWN
 I.D. OF RING 3"
 PINS ARE APPROXIMATELY 6" FROM THE GROUND
 APPROXIMATE WEIGHT 45 LBS.



| PARTS LIST | | | | |
|------------|-----|-------------|--------------------------------|--|
| ITEM | QTY | PART NUMBER | DESCRIPTION | |
| 1 | 1 | RL-UAV2-00 | FRAME ASSEMBLY | |
| 2 | 1 | RL-UAV2-06 | PIN | |
| 3 | 1 | RL-UAV-01 | CENTER TUBE ASSEMBLY | |
| 4 | 1 | RL-UAV-16 | FRONT TUBE ASSEMBLY | |
| 5 | 1 | RL-UAV-05 | SHOCK RING ASSEMBLY | |
| 6 | 1 | RL-UAV-20 | WHEEL KIT | |
| 7 | 1 | RL-UAV-15 | PIN ASSEMBLY | |
| 8 | 1 | RL-UAV-10 | CASTER WHEEL ASSEMBLY | |
| 9 | 1 | RL-UAV-08 | HANDLE | |
| 10 | 4 | 92146A030 | 5/16 LOCK WASHER | |
| 11 | 4 | 92949A581 | 5/16-18 X 3/4 BHCS S.S. | |
| 12 | 2 | 91286A339 | 1/2-13 X 3 1/2 BOLT | |
| 13 | 2 | 92018A540 | 1/2-13 HEX FLANGE LOCK NUT | |
| 14 | 1 | 90222A112 | LOCKING PIN ASSEMBLY | |
| 15 | 1 | 94975A177 | 1/4 X 1 1/2 QUICK REALEASE PIN | |
| 16 | 1 | 92949A537 | 1/4-20 X 1/2 BHCS | |

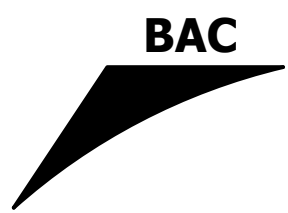


RL-UAV-10 CASTER WHEEL ASSEMBLY

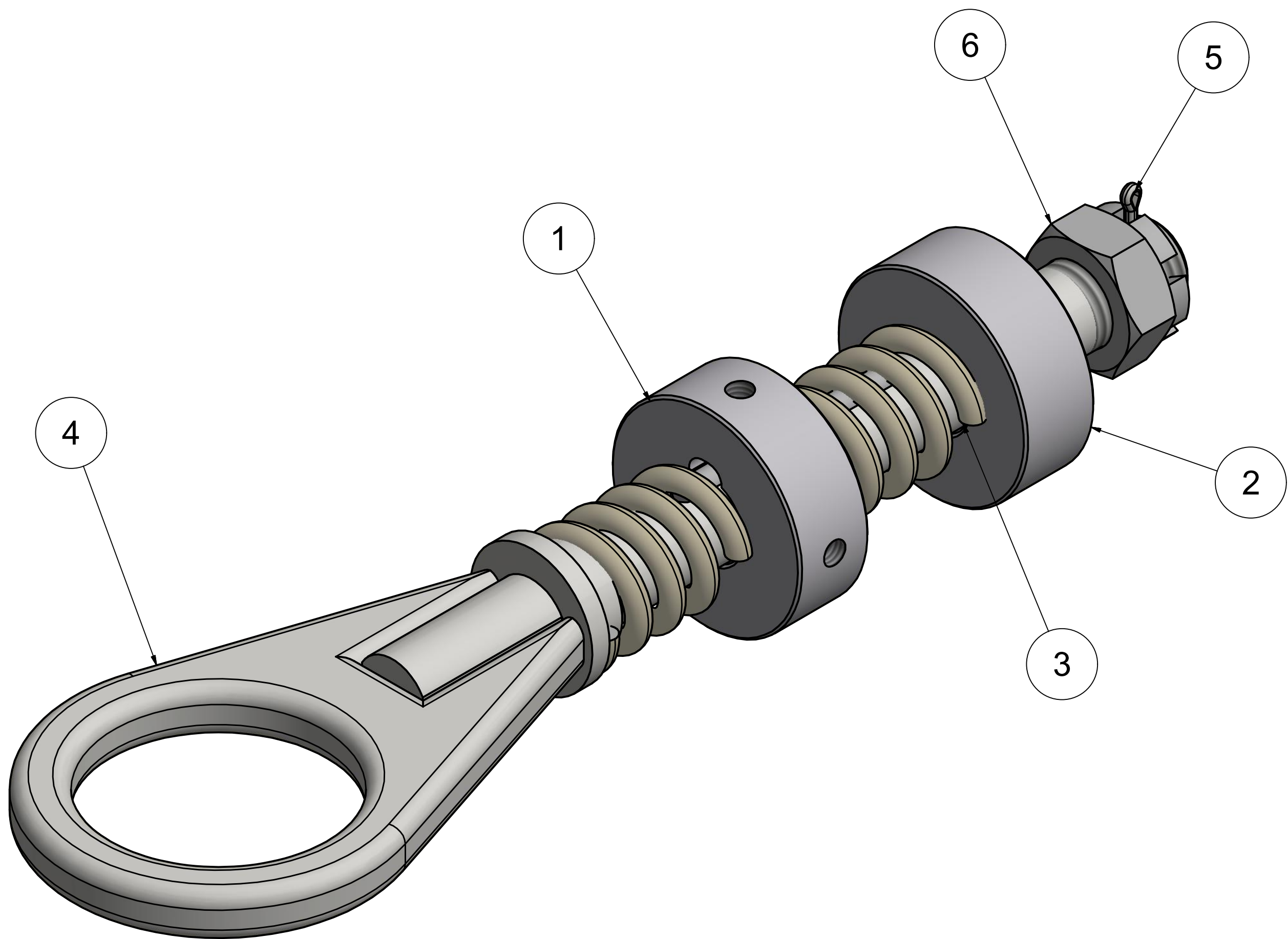


PARTS LIST

| ITEM | QTY | PART NUMBER | DESCRIPTION |
|------|-----|-------------|---|
| 1 | 1 | HT65A-04 | HANDLE/CASTER CROSS BAR |
| 2 | 2 | HM-101 | CASTER WHEEL |
| 3 | 1 | 90248A051 | 1"-8 TAP SIZE 3/4-10 THREAD SIZE INSERT |
| 4 | 2 | 9282K92 | HANDLE GRIP |
| 5 | 2 | 94945A224 | 1/2-13 NYLON-INSERT THIN LOCKNUT |
| 6 | 2 | 3043T637 | 3/8-16 X 3 I.D. U-BOLT |
| 7 | 4 | 92018A430 | 3/8-16 FLANGE LOCKNUT |
| 8 | 1 | 8498A62 | 1/4-20 X 1 3/4 L-HANDLE SPRING PLUNGER |
| 9 | 1 | 93827A211 | 1/4-20 NUT |
| 10 | 2 | 92949A720 | 1/2-13 X 2 BHCS S.S. |

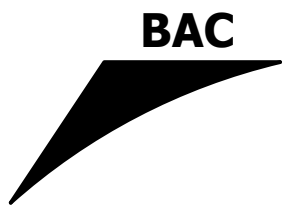


RL-UAV-05 SHOCK RING ASSEMBLY

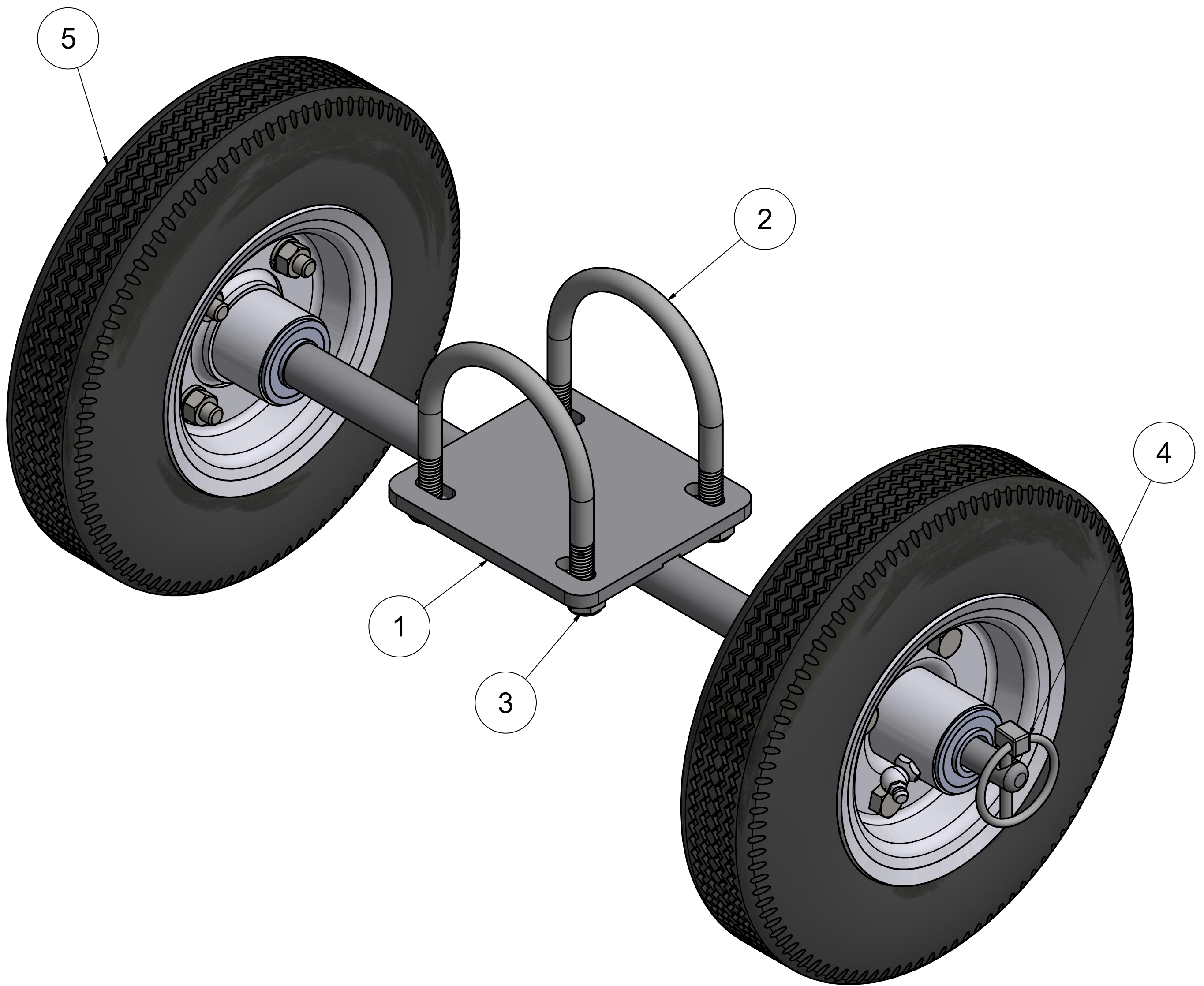


PARTS LIST

| ITEM | QTY | PART NUMBER | DESCRIPTION |
|------|-----|-------------|------------------------|
| 1 | 1 | HT65A-07-02 | SHAFT GUIDE |
| 2 | 1 | HT65A-07-03 | SPACER |
| 3 | 2 | LHL2000A02 | GREY 3" SPRING |
| 4 | 1 | RL-UAV-25 | WELDED RING ASM. |
| 5 | 1 | 98338A479 | 1/8 X 1 3/4 COTTER PIN |
| 6 | 1 | 95030A310 | 1-8 SLOTTED NUT |



RL-UAV-20 WHEEL KIT



PARTS LIST

| ITEM | QTY | PART NUMBER | DESCRIPTION |
|------|-----|-------------|---------------------------------|
| 1 | 1 | RL-UAV-19 | AXLE |
| 2 | 2 | 3043T637 | 3/8-16 X 3 I.D. U-BOLT |
| 3 | 4 | 92018A430 | 3/8-16 FLANGE LOCKNUT |
| 4 | 2 | 90170A650 | 3/16 X 1 5/8 PIN WITH LOCK RING |
| 5 | 2 | W-28040 | W-2.80/2.50-4 TIRE/WHEEL ASM. |