

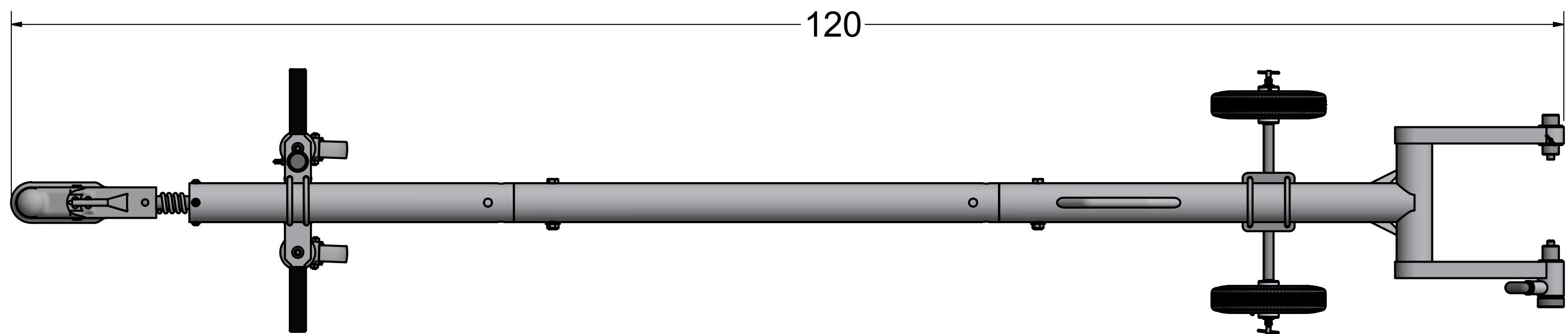
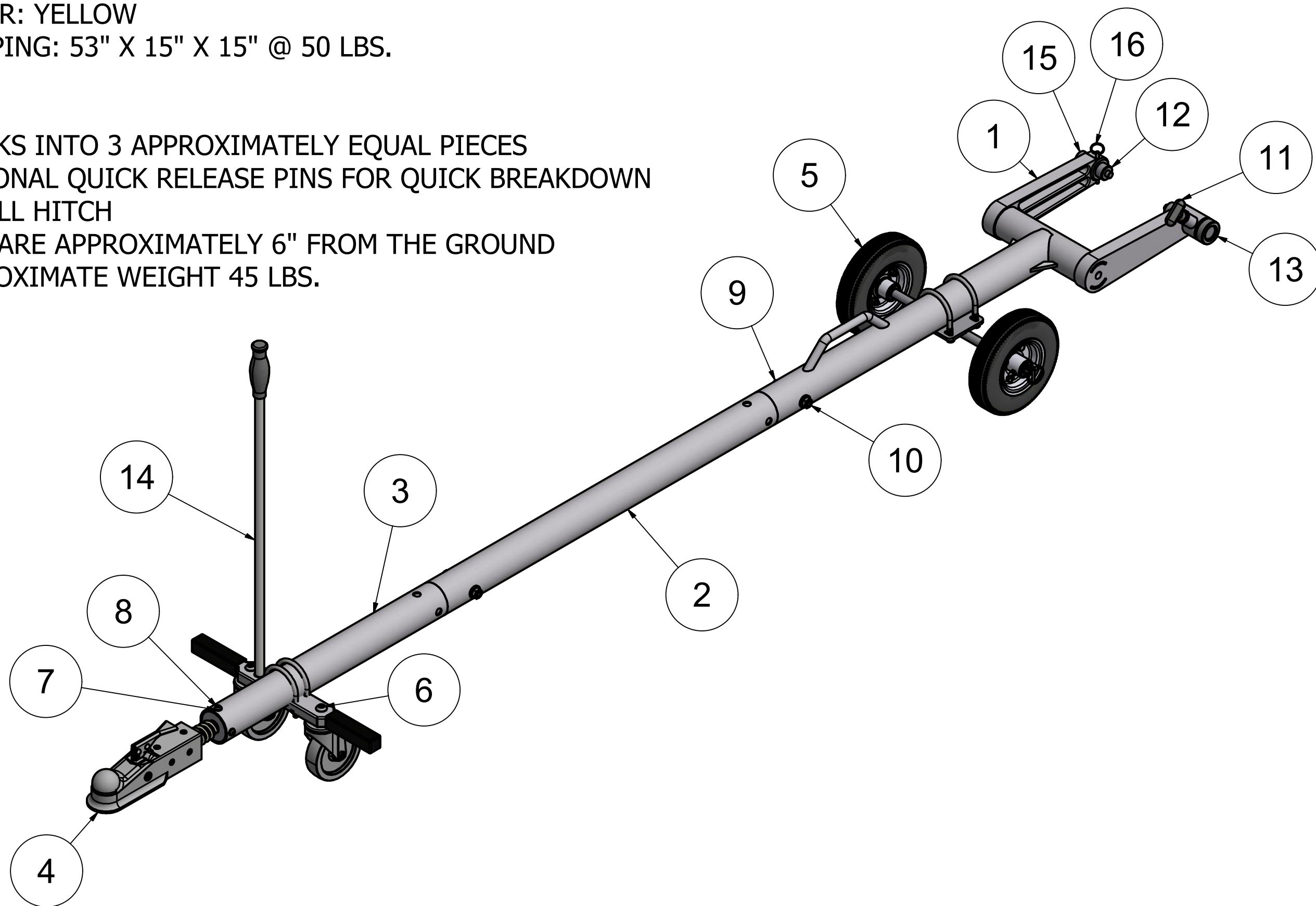
# BRACKETT AIRCRAFT COMPANY INC.

www.brackettaircraft.com

## RL-UAV2 TOW BAR ASSEMBLY

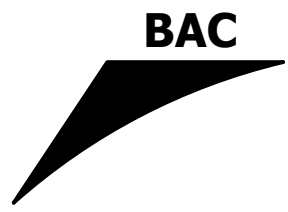
USE ON:  
GTOW: 25,000 LBS.  
LENGTH: 120"  
COLOR: YELLOW  
SHIPPING: 53" X 15" X 15" @ 50 LBS.

BREAKS INTO 3 APPROXIMATELY EQUAL PIECES  
OPTIONAL QUICK RELEASE PINS FOR QUICK BREAKDOWN  
2" BALL HITCH  
PINS ARE APPROXIMATELY 6" FROM THE GROUND  
APPROXIMATE WEIGHT 45 LBS.

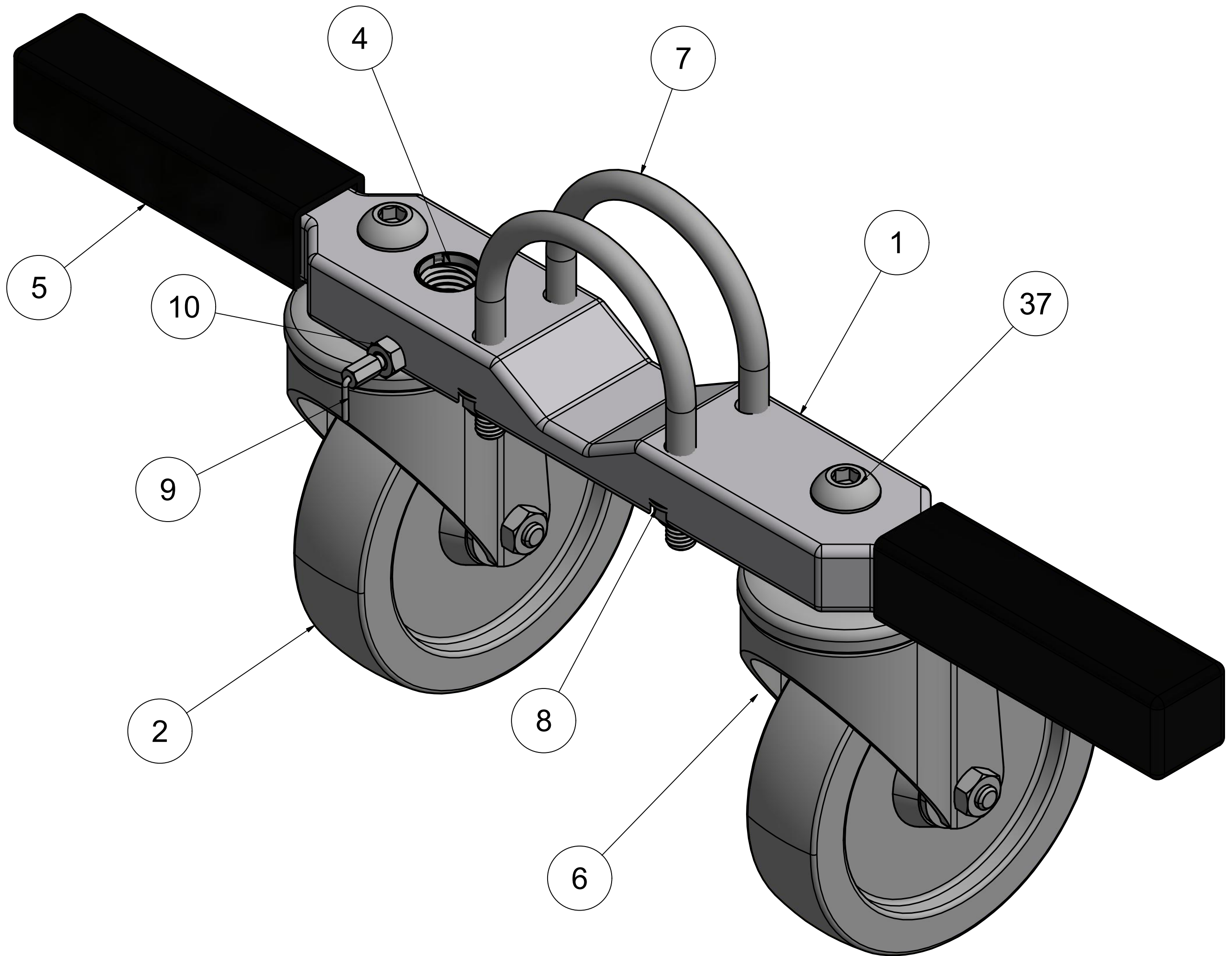


### PARTS LIST

ITEM	QTY	PART NUMBER	DESCRIPTION
1	1	RL-UAV2-00	FRAME ASSEMBLY
2	1	RL-UAV-01	CENTER TUBE ASSEMBLY
3	1	RL-UAV-02	FRONT TUBE ASSEMBLY
4	1	RL-UAV-12B	SHOCK BALL ASSEMBLY
5	1	RL-UAV-20	WHEEL KIT
6	1	RL-UAV-10	CASTER WHEEL ASSEMBLY
7	4	92146A030	5/16 LOCK WASHER
8	4	92949A581	5/16-18 X 3/4 BHCS S.S.
9	2	91286A339	1/2-13 X 3 1/2 BOLT
10	2	92018A540	1/2-13 HEX FLANGE LOCK NUT
11	1	90222A112	LOCKING PIN ASSEMBLY
12	1	RL-UAV2-06	PIN
13	1	RL-UAV-15	PIN ASSEMBLY
14	1	RL-UAV-08	HANDLE
15	1	92949A537	1/4-20 X 1/2 BHCS
16	1	94975A177	1/4 X 1 1/2 QUICK REALEASE PIN

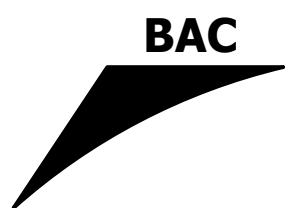


RL-UAV-10 CASTER WHEEL ASSEMBLY

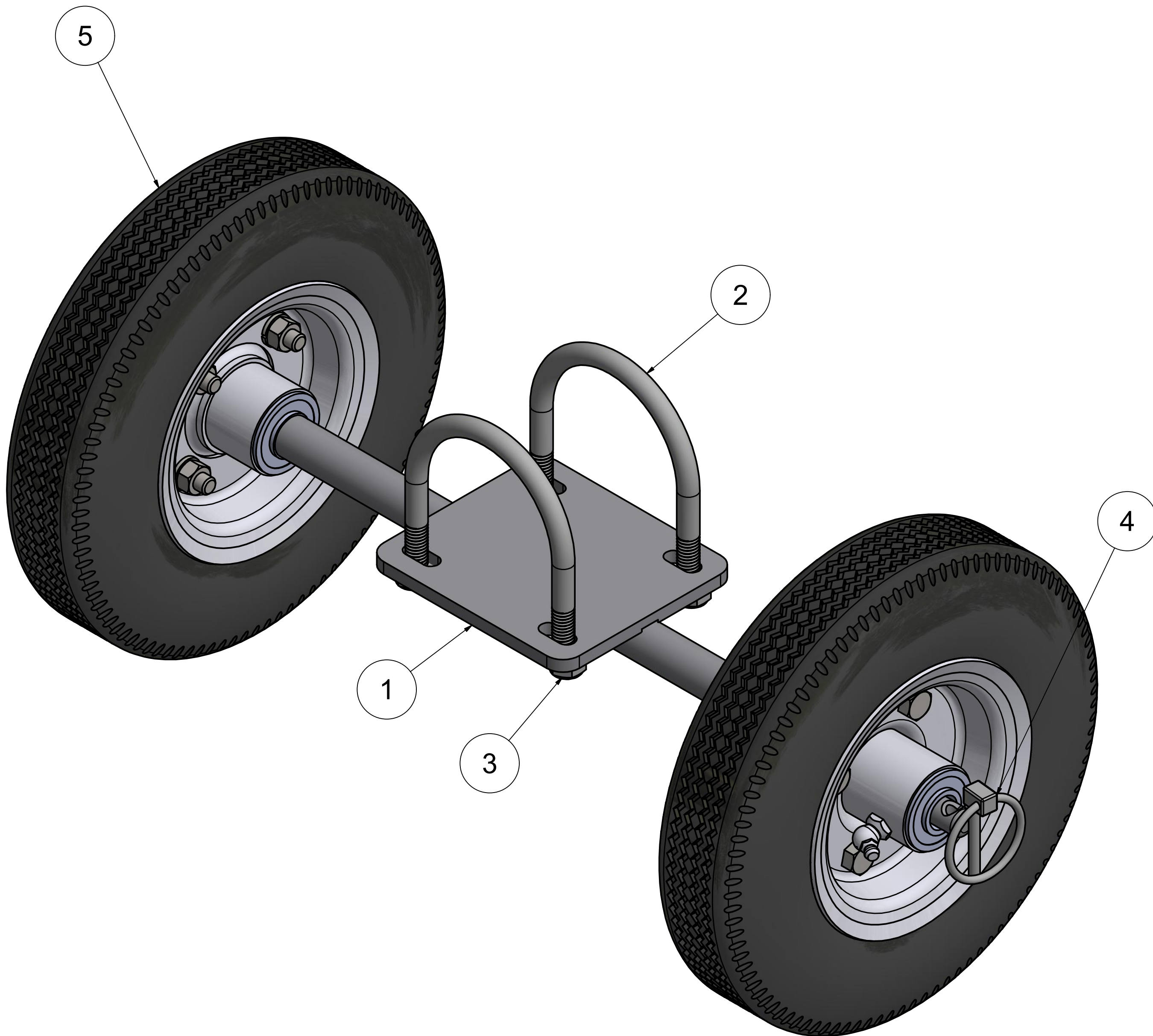


PARTS LIST

ITEM	QTY	PART NUMBER	DESCRIPTION
1	1	HT65A-04	HANDLE/CASTER CROSS BAR
2	2	HM-101	CASTER WHEEL
4	1	90248A051	1"-8 TAP SIZE 3/4-10 THREAD SIZE INSERT
5	2	9282K92	HANDLE GRIP
6	2	94945A224	1/2-13 NYLON-INSERT THIN LOCKNUT
7	2	3043T637	3/8-16 X 3 I.D. U-BOLT
8	4	92018A430	3/8-16 FLANGE LOCKNUT
9	1	8498A62	1/4-20 X 1 3/4 L-HANDLE SPRING PLUNGER
10	1	93827A211	1/4-20 NUT
37	2	92949A720	1/2-13 X 2 BHCS S.S.



## RL-UAV-20 WHEEL KIT



### PARTS LIST

ITEM	QTY	PART NUMBER	DESCRIPTION
1	1	RL-UAV-19	AXLE
2	2	3043T637	3/8-16 X 3 I.D. U-BOLT
3	4	92018A430	3/8-16 FLANGE LOCKNUT
4	2	90170A650	3/16 X 1 5/8 PIN WITH LOCK RING
5	2	W-28040	W-2.80/2.50-4 TIRE/WHEEL ASM.