

BRACKETT AIRCRAFT COMPANY INC.

www.brackettaircraft.com

RL-WLF12 WHIPLINE FLOAT TOW BAR

SPECIFICATIONS:

APPLICABLE AIRCRAFT: WHIPLINE FLOATS 6,100 TO 13,000

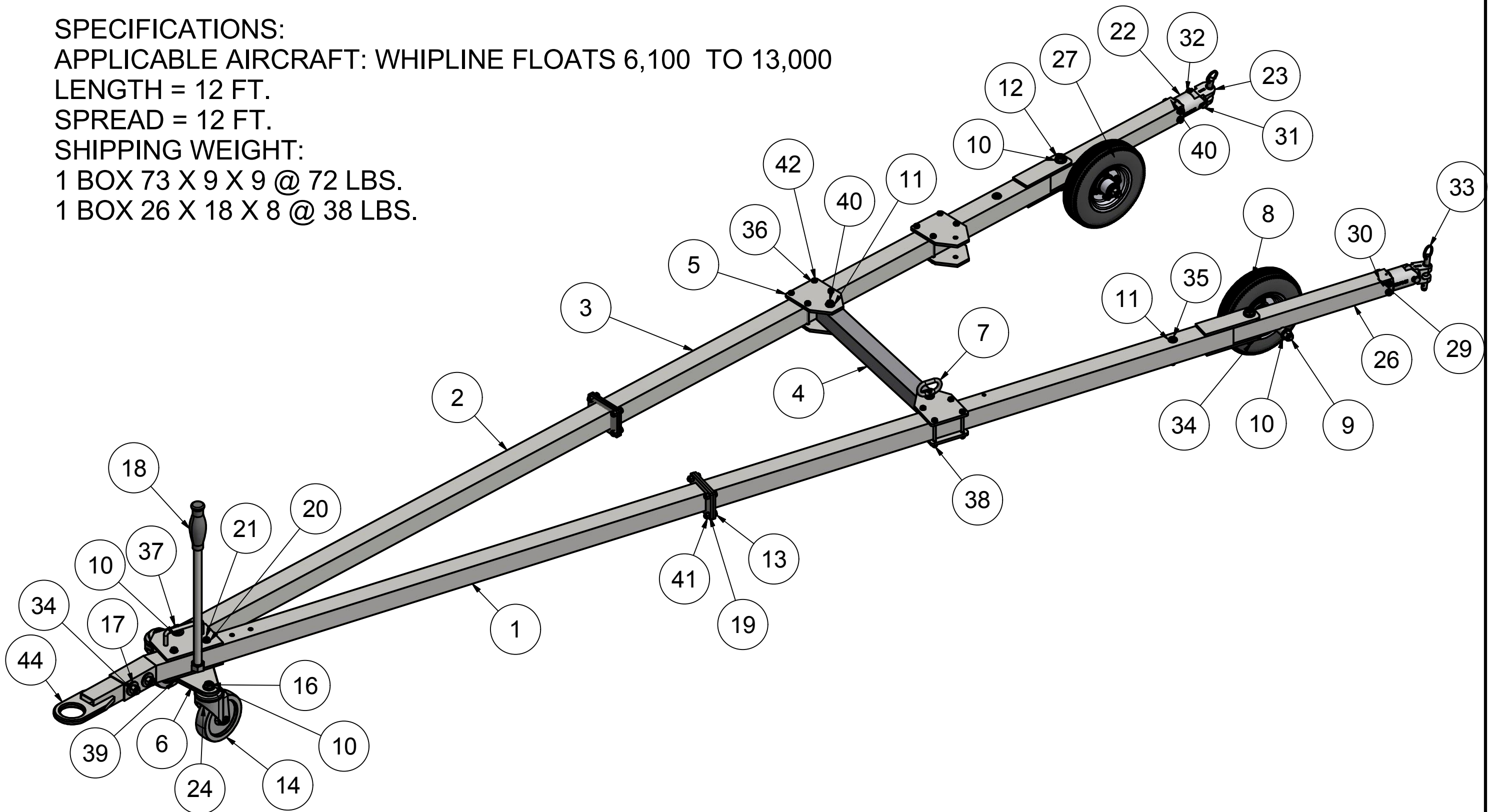
LENGTH = 12 FT.

SPREAD = 12 FT.

SHIPPING WEIGHT:

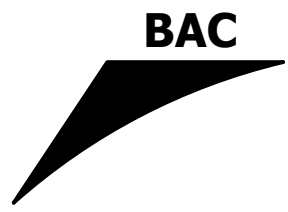
1 BOX 73 X 9 X 9 @ 72 LBS.

1 BOX 26 X 18 X 8 @ 38 LBS.

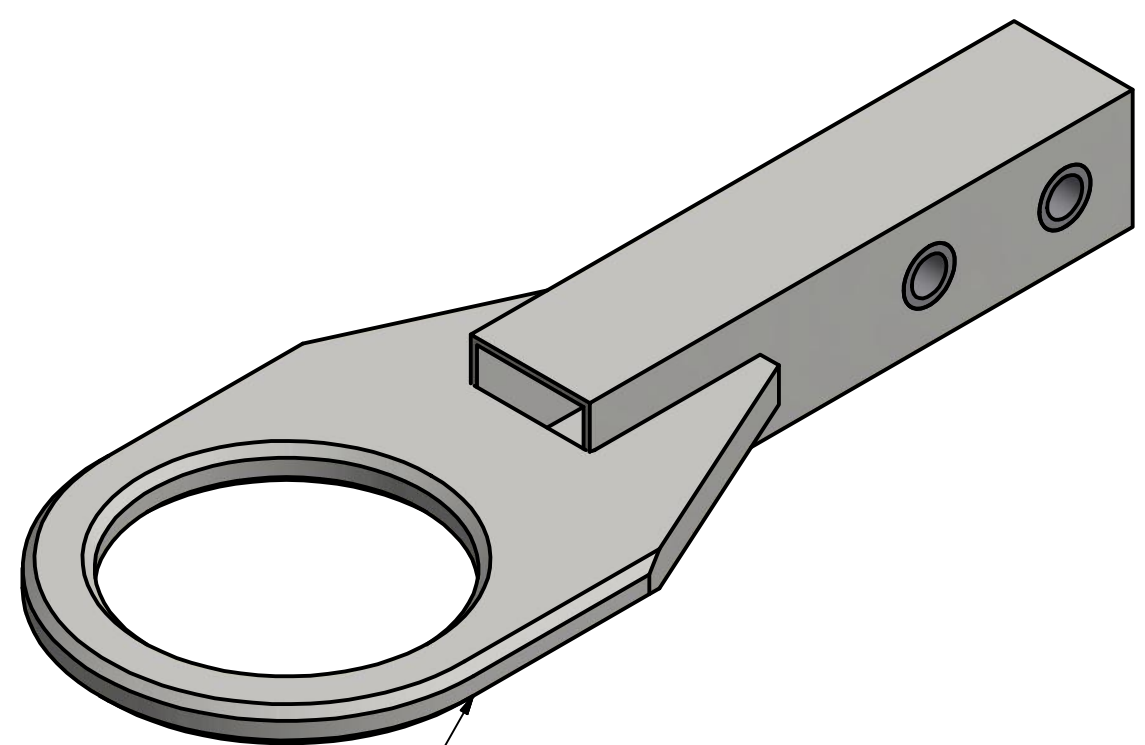
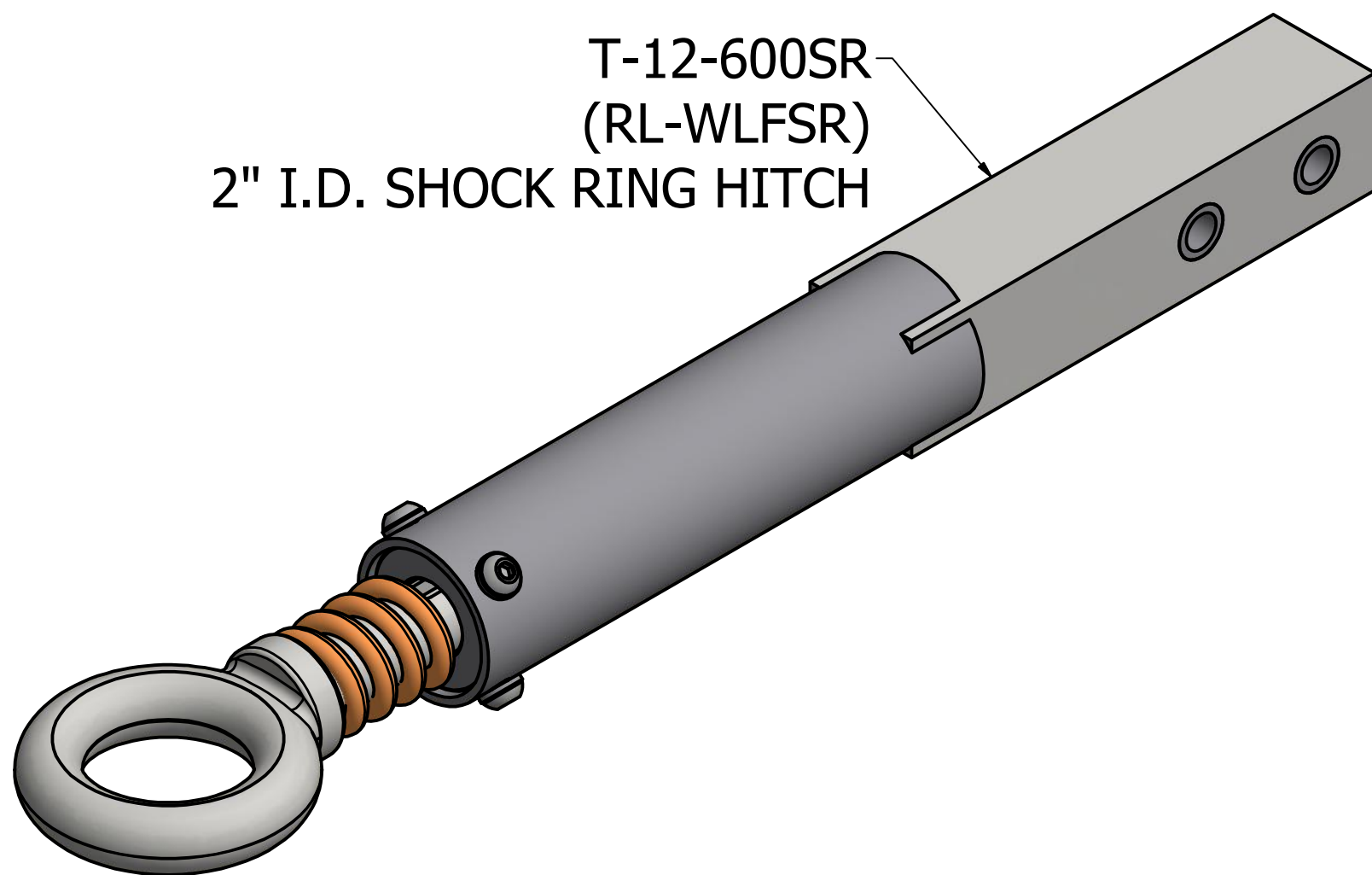
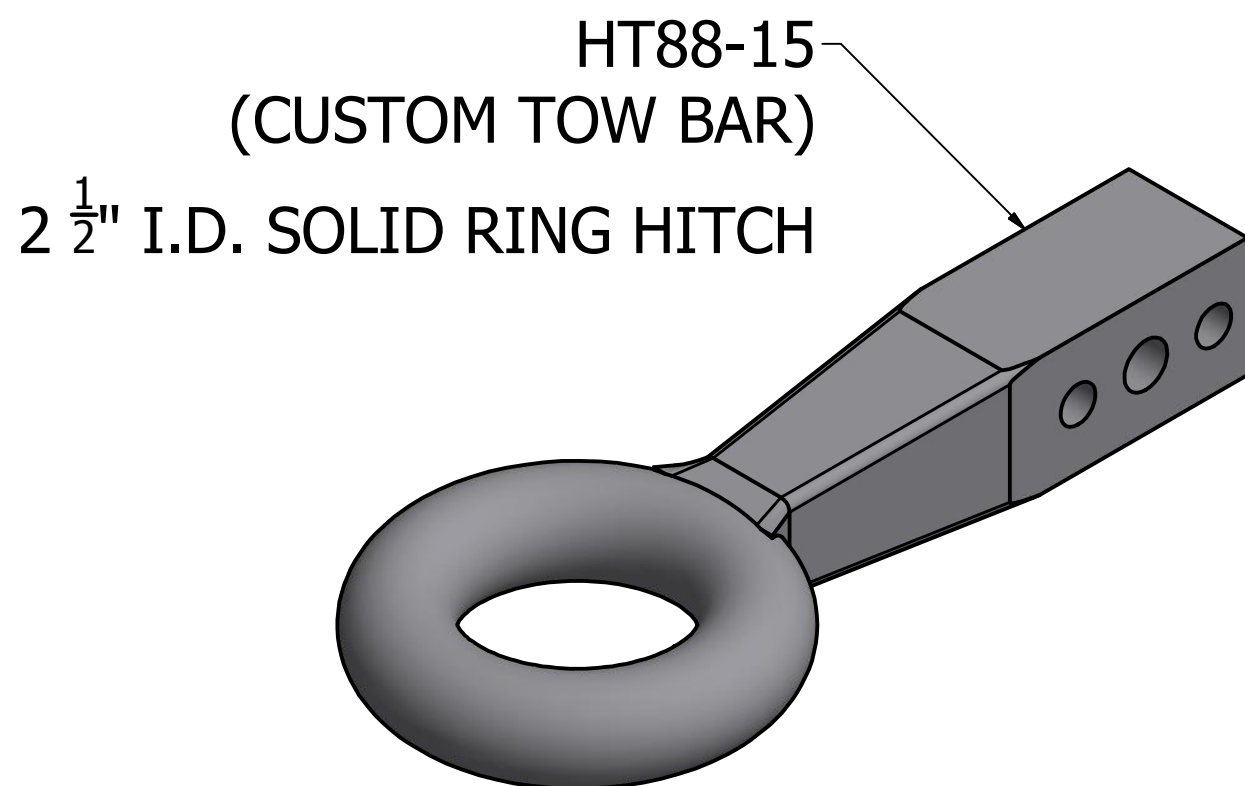
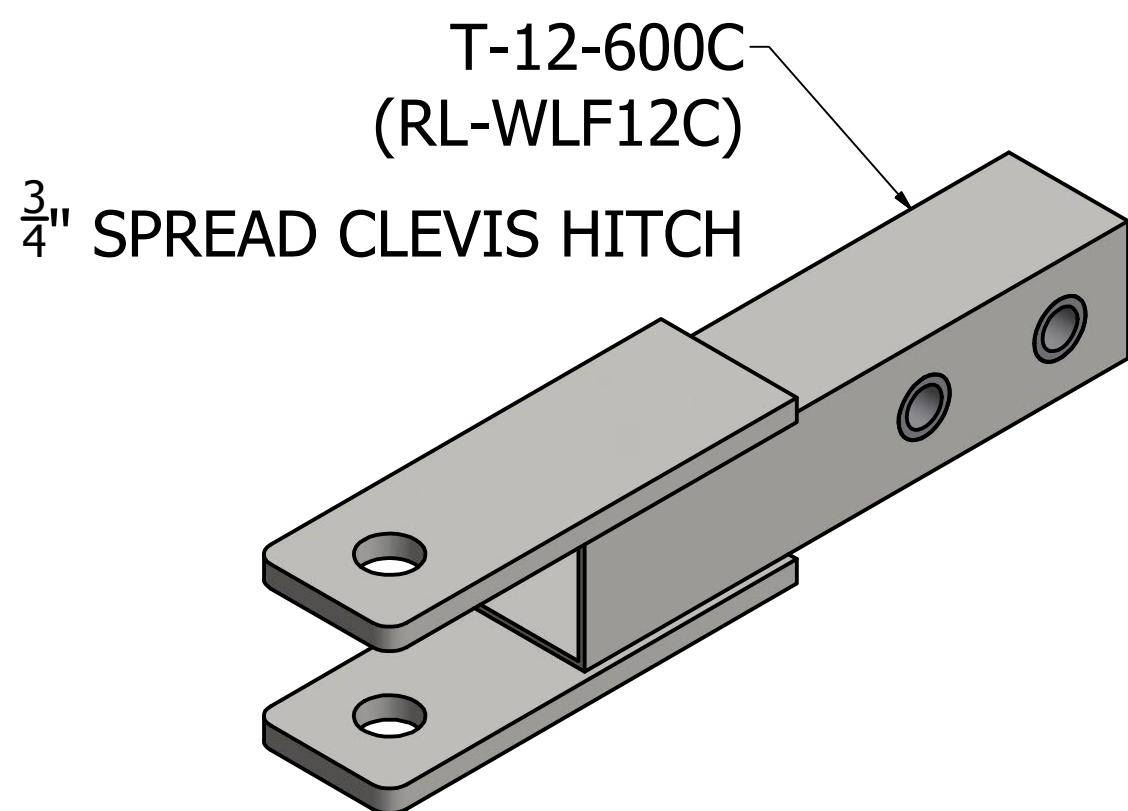
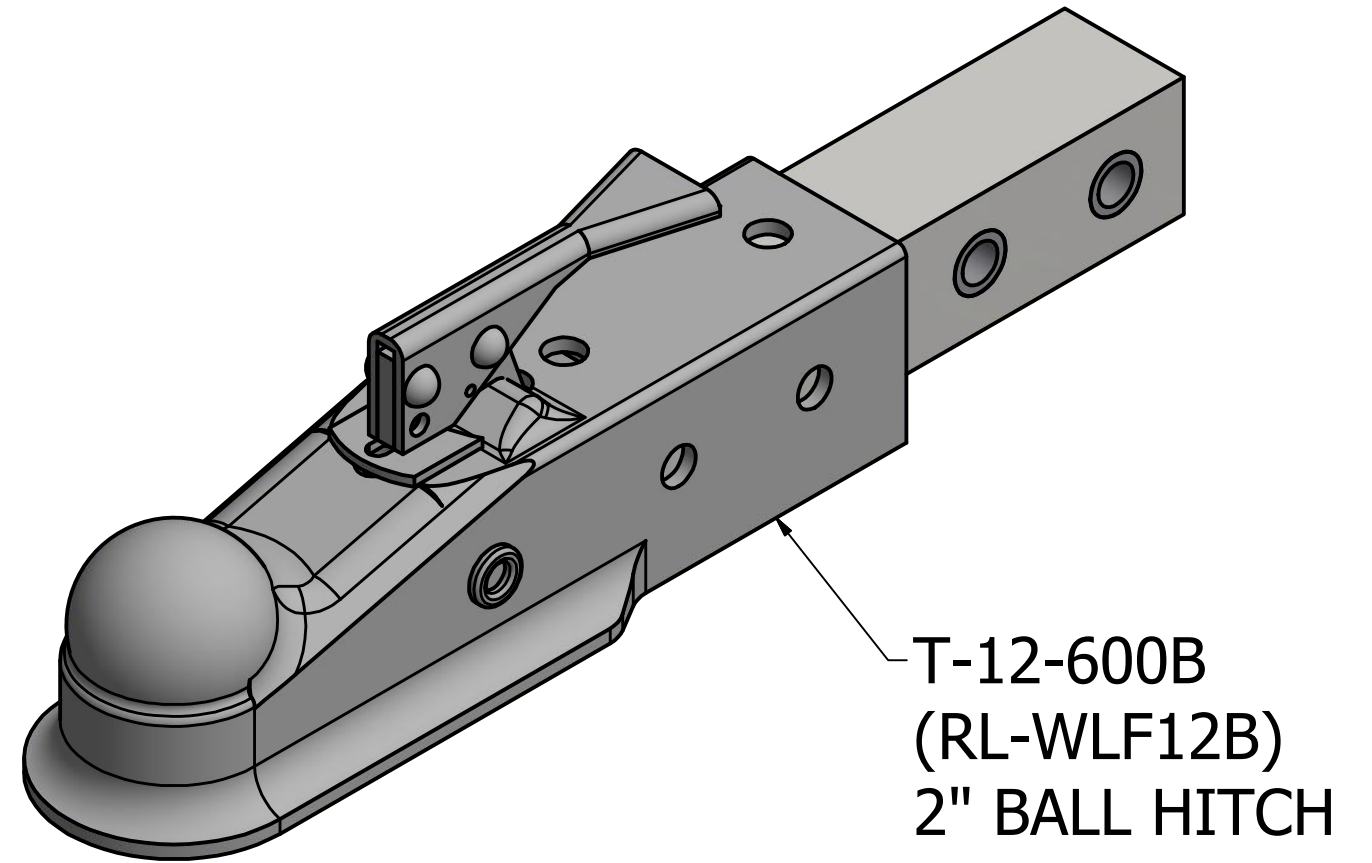
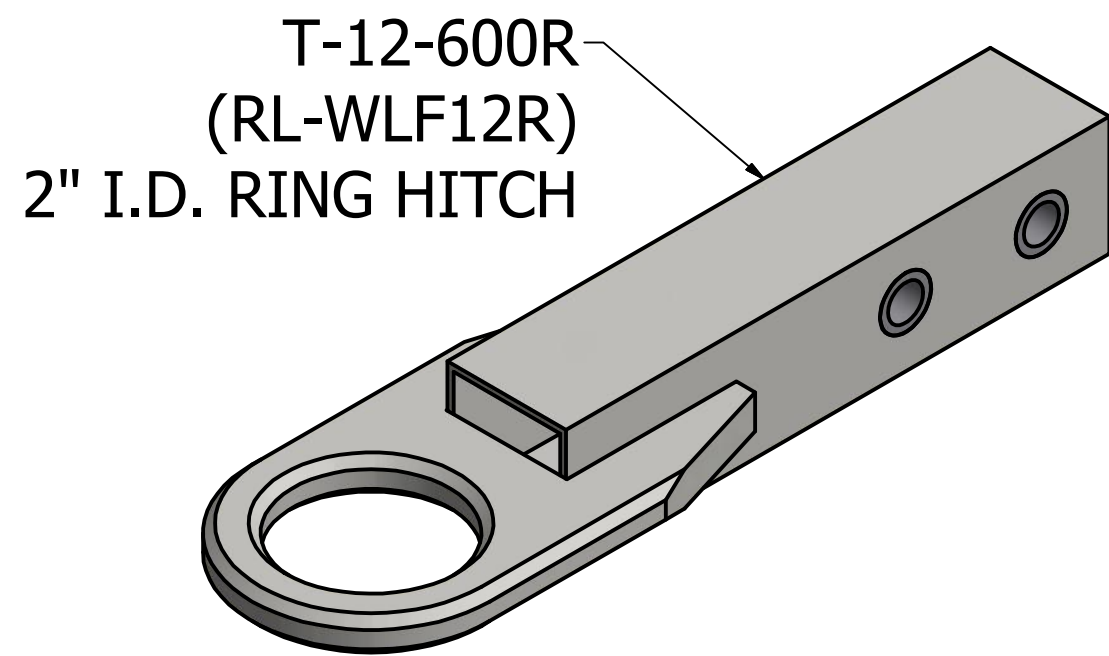


PARTS LIST

ITEM	QTY	PART NUMBER	DESCRIPTION
1	1	H-7M8-10	YOKE ASM.
2	1	H-7M2-10	LEG ASM.
3	2	H-7M9-10	LEG ASM.
4	1	T44-03-00	CROSS TUBE
5	6	TR6-09	PLATE
6	1	TR6-13	CASTER PLATE
7	1	92627A211	3/8 X 2 1/2 QUICK RELEASE PIN
8	2	W-28040	W-2.80/2.50-4 TIRE/WHEEL ASM.
9	2	91286A364	1/2-13 X 7 BOLT
10	14	91950A033	1/2 SAE WASHER
11	6	98023A031	3/8 ZINC PLATED WASHER
12	2	91286A339	1/2-13 X 3 1/2 BOLT
13	8	91286A155	BOLT 5/16-18 X 1
14	2	HM-101	CASTER WHEEL
15	2	94945A224	1/2-13 NYLON-INSERT THIN LOCKNUT
16	2	91286A322	1/2-13 X 1 3/4 BOLT
17	8	91081A033	1/2 U.S.S. WASHER
18	1	TY-TB-125-10-00	HANDLE
19	16	AN960-516L	5/16 NARROW WASHER
20	4	90126A030	5/16 SAE WASHER
21	2	91286A174	5/16-18 X 3 1/2 BOLT
22	2	TR-74-05	SHAFT
23	2	TR-74-06	FLOAT ATTACHEMENT
24	2	92018A430	3/8-16 FLANGE LOCKNUT
25	2	97345A718	1/2 X 1 3/4 X 3/8-16 SHOULDER BOLT
26	1	RL-WLF12-00L	END ASSEMBLY LEFT
27	1	RL-WLF12-00R	END ASSEMBLY RIGHT
28	2	RL-WLF12-02	TUBE INSERT
29	8	90124A581	5/16-18 X 3/4 SAFETY BOLT
30	8	92146A030	5/16 LOCK WASHER
31	2	92735A910	1/2 DIA. 2 1/16 CLEVIS PIN
32	2	98410A119	7/16 O.D. SNAP RING
33	2	98485A165	1/2 X 2 QUICK RELEASE PIN
34	7	97135A250	1/2-13 LOCKNUT
35	2	91286A260	3/8-24 X 2 3/4 BOLT
36	24	AN960-416L	1/4" WASHER
37	1	91286A344	1/2-13 X 4 BOLT
38	12	97135A210	1/4-20 LOCKNUT
39	5	97135A230	3/8-16 LOCKNUT
40	1	91286A216	3/8-16 X 3 BOLT
41	8	97135A220	5/16-18 LOCKNUT
42	12	91257A554	1/4-20 X 3 BOLT
43	2	91286A337	1/2-13 X 3 BOLT
44	1	T-12-600R	RING HITCH



HITCH OPTIONS



CUSTOM LENGTHS AND
TONGUE DIAMETERS AVAILABLE
(CUSTOM TOW BAR)