

BAC

## BRACKETT AIRCRAFT CO., INC.

BAC

## SPECIFICATIONS:

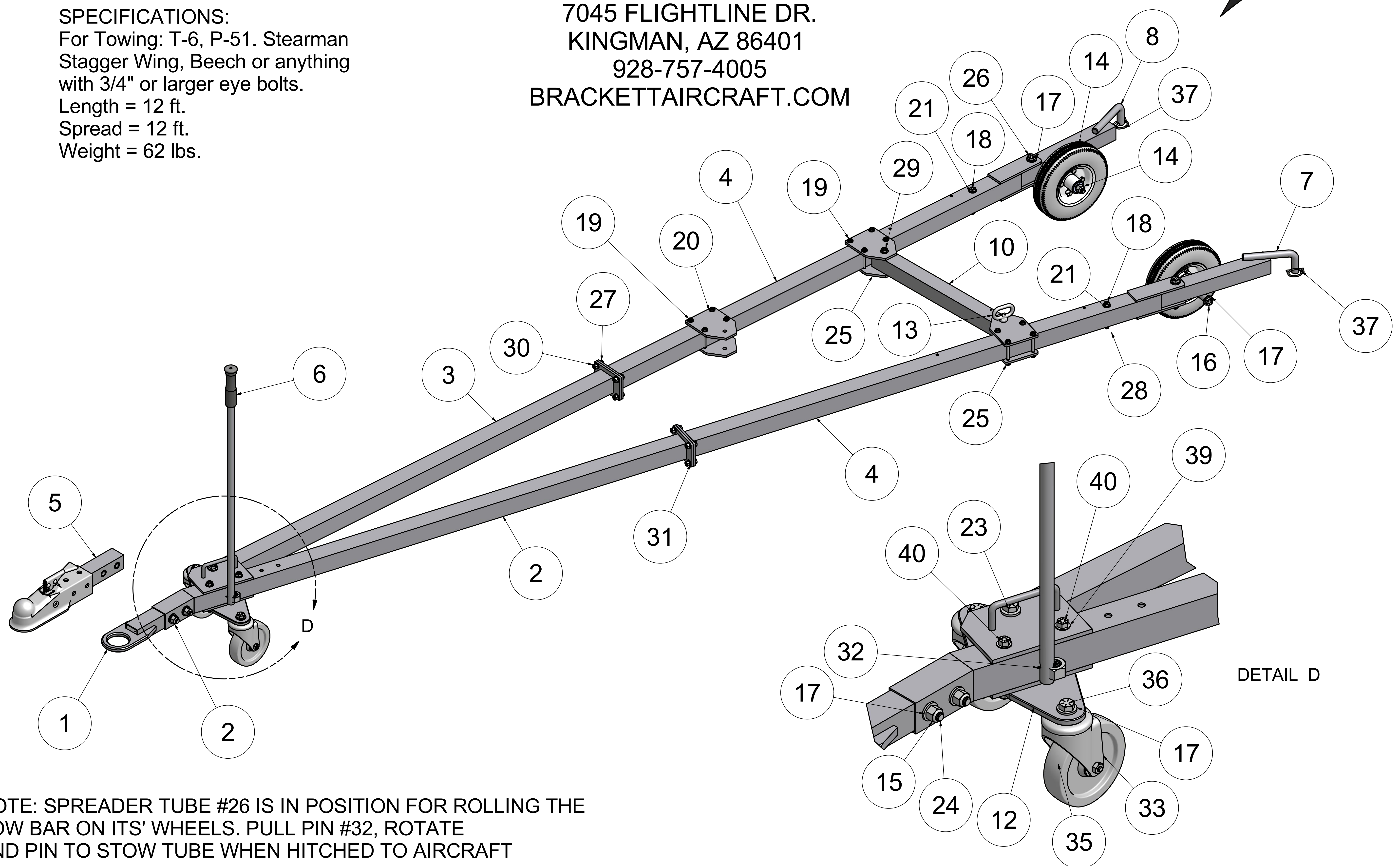
For Towing: T-6, P-51. Stearman  
Stagger Wing, Beech or anything  
with 3/4" or larger eye bolts.

Length = 12 ft.

Spread = 12 ft.

Weight = 62 lbs.

7045 FLIGHTLINE DR.  
KINGMAN, AZ 86401  
928-757-4005  
BRACKETTAIRCRAFT.COM



NOTE: SPREADER TUBE #26 IS IN POSITION FOR ROLLING THE  
TOW BAR ON ITS' WHEELS. PULL PIN #32, ROTATE  
AND PIN TO STOW TUBE WHEN HITCHED TO AIRCRAFT

## TR-6R &amp; B

ITEM	QTY	PART NUMBER	DESCRIPTION
1	1	T-12-600R	RING HITCH
2	1	H-7M8-10	YOKE ASM.
3	1	H-7M2-10	LEG ASM.
4	2	H-7M9-10	LEG ASM.
5	1	T12-600B	BALL HITCH
6	1	H-6M5-00	HANDLE
7	1	TR6-01L	END ASM. LEFT
8	1	TR6-01R	END ASM. RIGHT
10	1	T44-03-00	SPREADER TUBE
11	6	TR6-09	PLATE
12	1	TR6-13	PLATE
13	1	92627A211	3/8 X 2 1/2 QUICK RELEASE PIN
14	2	W-28040	W-2.80/2.50-4 TIRE/WHEEL ASM.
15	7	90630A125	1/2-13 LOCKNUT
16	2	91286A364	1/2-13 X 7 BOLT
17	18	91950A033	1/2 SAE WASHER
18	2	91286A216	3/8-16 X 3 BOLT
19	12	91286A128	1/4-20 X 3 BOLT
20	24	90126A029	1/4" SAE WASHER
21	6	98023A031	3/8 ZINC PLATED WASHER
23	1	91286A342	BOLT 1/2-13 X 3 3/4
24	2	91247A724	1/2-13 X 3 BOLT
25	12	90630A110	1/4-20 LOCKNUT
26	2	91286A339	1/2-13 X 3 1/2 BOLT
27	8	91286A155	BOLT 5/16-18 X 1
28	5	90630A121	LOCKNUT 3/8-16
29	1	91286A219	3/8-16 X 3 1/4 BOLT
30	8	90630A115	5/16-18 LOCKNUT
31	16	91083A030	5/16 SAE WASHER
32	1	98338A419	1/16 X 1 COTTER PIN
33	2	HM-101	CASTER WHEEL
35	2	94945A224	1/2-13 NYLON-INSERT THIN LOCKNUT
36	2	91286A322	1/2-13 X 1 3/4 BOLT
37	2	90170A650	PIN WITH LOCK RING
38	4	91081A033	1/2 U.S.S. WASHER
39	4	90126A031	3/8" SAE WASHER
40	2	90201A333	3/8-16 X 3 1/2 BOLT