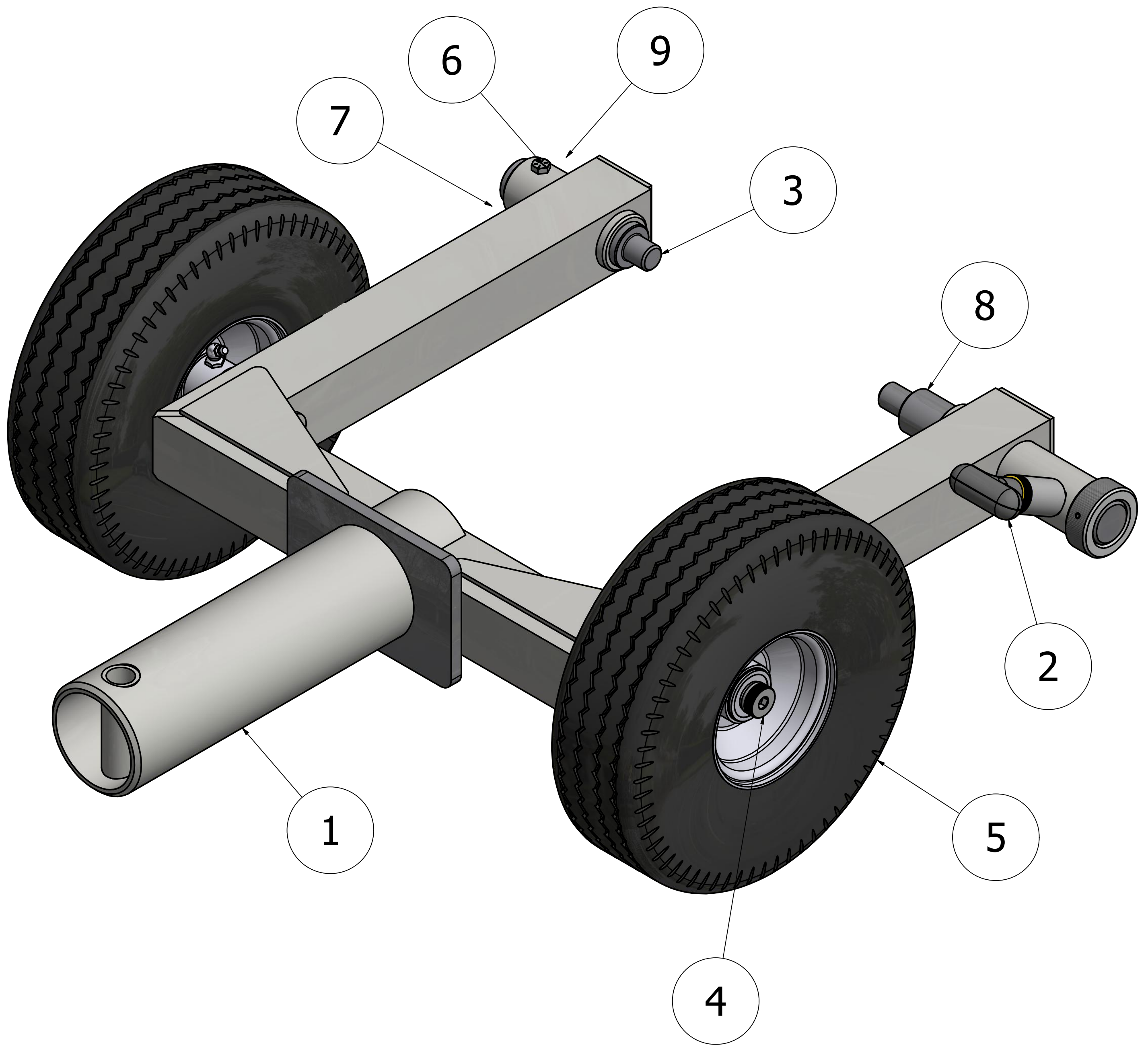


TY-F16GD HEAD ASSEMBLY



PARTS LIST

ITEM	QTY	PART NUMBER	DESCRIPTION
1	1	TY-GD-01-00	FRAME
2	1	90222A112	LOCKING PIN ASSEMBLY
3	1	TY-GD-02	PIN
4	2	91259A808	5/8 X 3 1/2 SHAFT 1/2-13 THREAD SHOULDER BOLT
5	2	W-41040	TIRE/WHEEL ASSEMBLY
6	1	91257A550	1/4-20 X 2 BOLT
7	1	90630A110	1/4-20 LOCKNUT
8	1	HT47-02-00	PIN ASSEMBLY
9	1	91306A373	1/4-20 X 3/8 HEX DRIVE ROUNDED HEAD SCREW