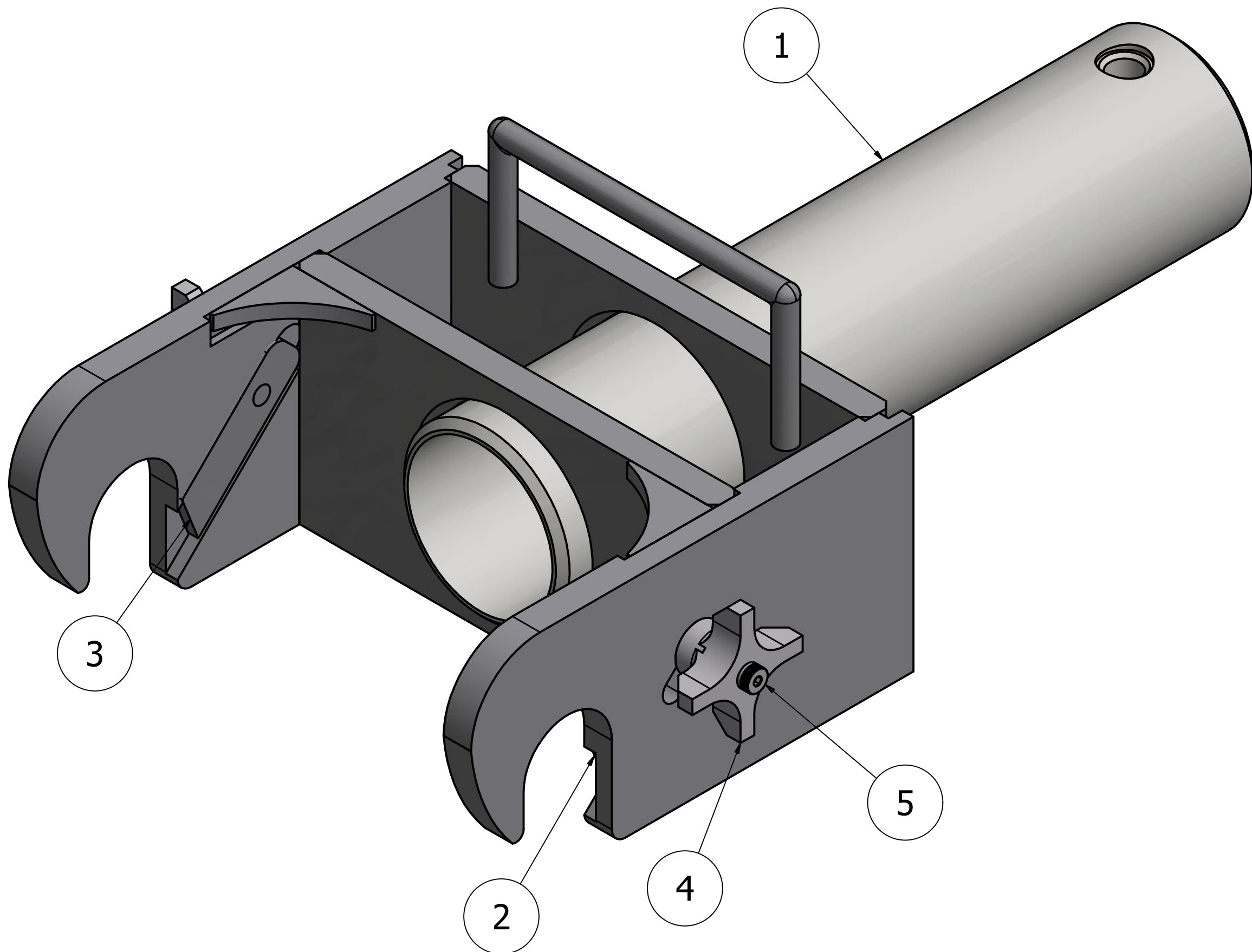


BRACKETT AIRCRAFT COMPANY INC.

www.brackettaircraft.com

TY-FAL1 HEAD ASSEMBLY

AIRCRAFT:
FALCON 10, 20, 100, 200
SPEC:
WEIGHT: 20.7 LBS.
SHIPPING: 17 X 7 X 7 @ 23 LBS.
COLOR: POWDER COAT YELLOW



PARTS LIST

ITEM	QTY	PART NUMBER	DESCRIPTION
1	1	TY-FA-01-00	FRAME ASSEMBLY
2	1	TY-FA-03-00	SLIDER ASSEMBLY
3	1	TY-FA-04-00	SLIDER ASSEMBLY
4	2	TY-FA-05-00	KNOB
5	2	90298A537	1/4 X 1/2 S.S. SHOULDER BOLT