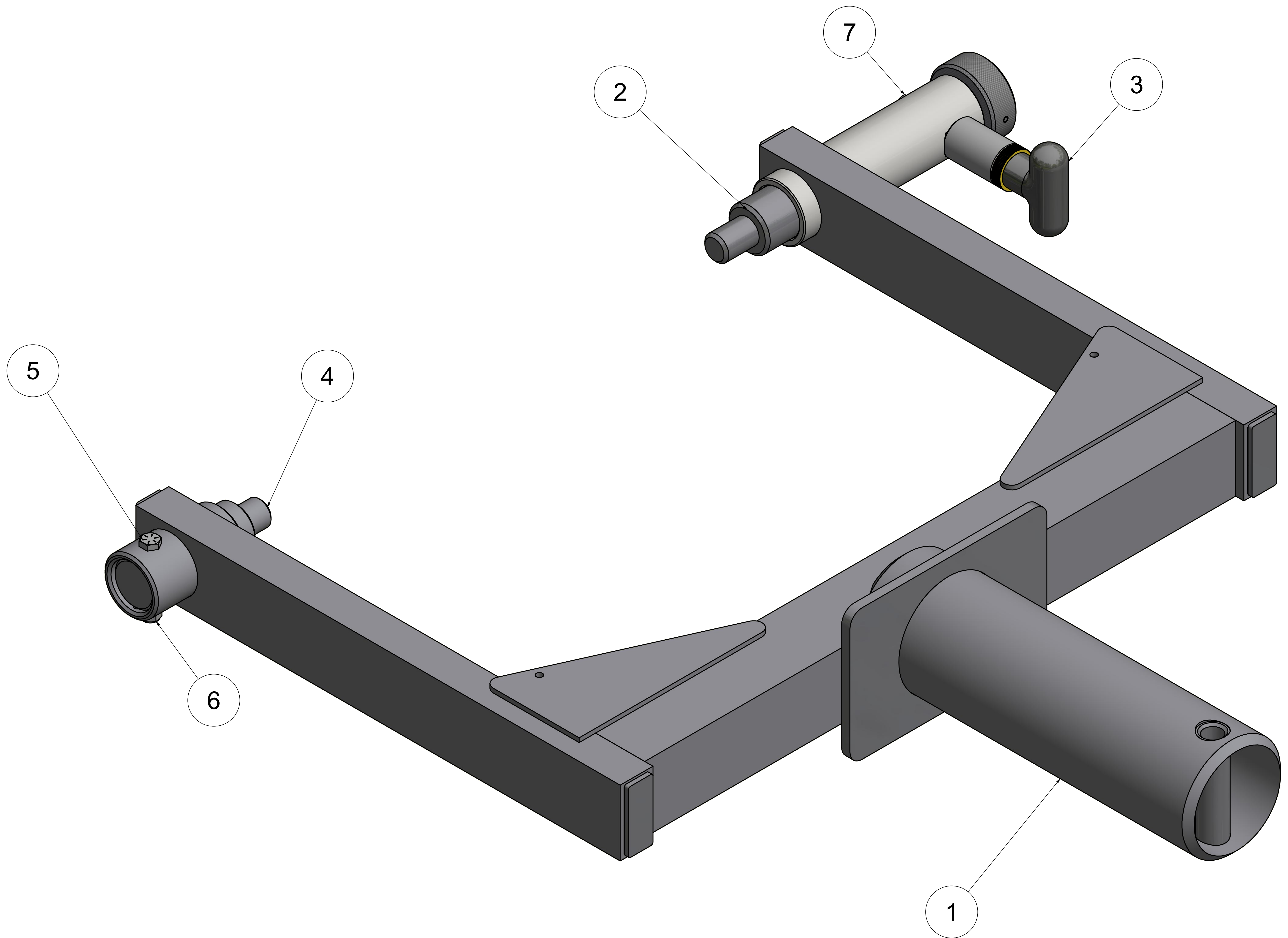


AIRCRAFT: PIAGGIO AVANTI
 SPEC.:
 SHIPPING: 36" X 29" X 7" @ 27 LBS.
 FINISH: POWDER COAT YELLOW



TY-PIA

ITEM	QTY	PART NUMBER	DESCRIPTION
1	1	TY-PIA-00A	FRAME ASSEMBLY
2	1	HT47-02-00	PIN ASSEMBLY
3	1	90222A112	LOCKING PIN ASSEMBLY
4	1	TY-PIA-03	PIN
5	1	91286A121	1/4-20 X 2 BOLT
6	1	90630A110	1/4-20 LOCKNUT
7	1	91286A101	1/4-20 X 1/2 BOLT