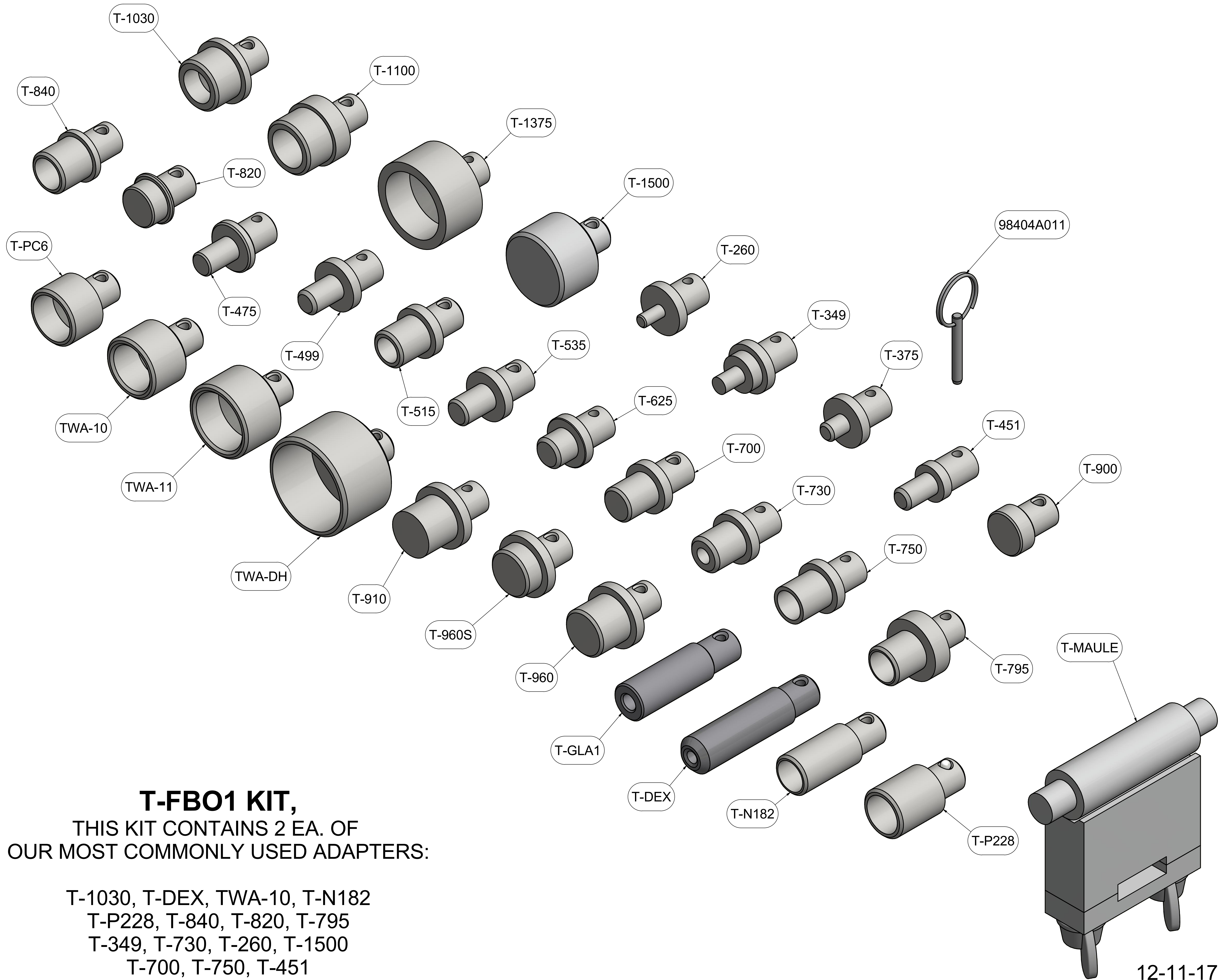


ADAPTERS FOR UNIVERSAL TOW BARS



T-FBO1 KIT,
THIS KIT CONTAINS 2 EA. OF
OUR MOST COMMONLY USED ADAPTERS:

- T-1030, T-DEX, TWA-10, T-N182
T-P228, T-840, T-820, T-795
T-349, T-730, T-260, T-1500
T-700, T-750, T-451

12-11-17

ADAPTERS		ADAPTERS	
AIRCRAFT	PART NUMBER	AIRCRAFT	PART NUMBER
ALBATROS AERO L39ZA	T-730 (L) T-910 (R)	GLASSAIR	T-GLA1 (2 EA.)
ALBATROS AERO L39C	T-730 (L) T-960 (R)	GRUMMAN AA-5, A, B	T-N182 (2 EA.)
AEROSTAR 600, 700P	T-1030 (2 EA.)	GRUMMAN COUGAR	T-515 (2 EA.)
AVIAT HUSKY	TWA-10 (2 EA.)	GROB 115TA	T-700 (2 EA.)
AUGUSTA 109	T-625 (2 EA.)	HONDA JET	T-960 (2 EA.)
BEECH D18, STAGGERWING	TWA-11 (2 EA.)	HOWARD DGA	TWA-11 (2 EA.)
BEECH DUCHESS	T-DEX (2EA.)	LANCAIR IV, EVOLUTION	T-730 (2 EA.)
BEECH T6 TEXAN II	T-730 (2 EA.)	MAULE (TAIL SPRING)	T-MAULE
BELL 430	T-515 (2 EA.)	NORTH AMERICAN T-28	T-730 (2 EA.)
BARRON, BONANZA AXLE TOWING	T-1030 (L) TWA-DH (R)	OV-10 BRONCO	T-750 (2 EA.)
BRITTEN-NORMAN ISLANDER BN-2	TWA-10 (2 EA.)	PARTENAVIA P68	T-730 (2 EA.)
CESSNA 172, 182, 206 (92 & NEWER)	T-N182 (2 EA.)	PILATUS PC-6	T-PC6 (2 EA.)
CESSNA 140, 170, 180, 185 (SCOTT TAILWHEEL)	TWA-10 (2 EA.)	PILATUS PC-12	T-451 (2 EA.)
CESSNA 208 CARAVAN	T-840 (2 EA.)	PIPER PA-18	TWA-10 (2 EA.)
CESSNA 400 CORRALLIS	T-730 (2 EA.)	PIPER PA-22, 28	T-P228 (2 EA.)
CHAMPION AIRCRAFT	TWA-10 (2 EA.)	PIPER PA-28R, 32R	T-820 (L) T-840 (R)
CIRRUS SF-50	T-499 (2 EA.)	PIPER PA-46	T-820 (L) T-795 (R)
CIRRUS SR20, 22	T-349 (2 EA.)	SHUKLOI TAIL WHEEL	T-260 (2 EA.)
COLUMBIA 300	T-730 (2 EA.)	SOCATA TBM 700, 850	T-451 (2 EA.)
COMMANDER 114	T-750 (2 EA.)	SOCATA TRINIDAD, TOBAGO	T-375 (2 EA.)
DEHAVILLAND BEAVER DHC-2	TWA-DH (2 EA.)	SIKORSKY S76	T-750 (2 EA.)
DIAMOND DA-20	T-260 (2 EA.)	YAK-18	T-P228 (1 EA.)
DIAMOND DA-40	T-1500 (2 EA.)	PIPER AERO, SARATOGA, LANCE	T-900 (1 EA.)
DIAMOND DA-42, DA-62	T-700 (2 EA.)	VANS RV9A/RV10	T-750 (2 EA.)
ECLIPSE	T-750 (2 EA.)	WIDGEON G-44 TAIL WHEEL	T-1375 (2 EA.)
EPIC LT	T-535 (2 EA.)	QUICK RELEASE PIN (INCLUDED WITH EA. ADAPTER)	98404A011
GIPPSAERO GA8	T-P228 (2 EA.)		