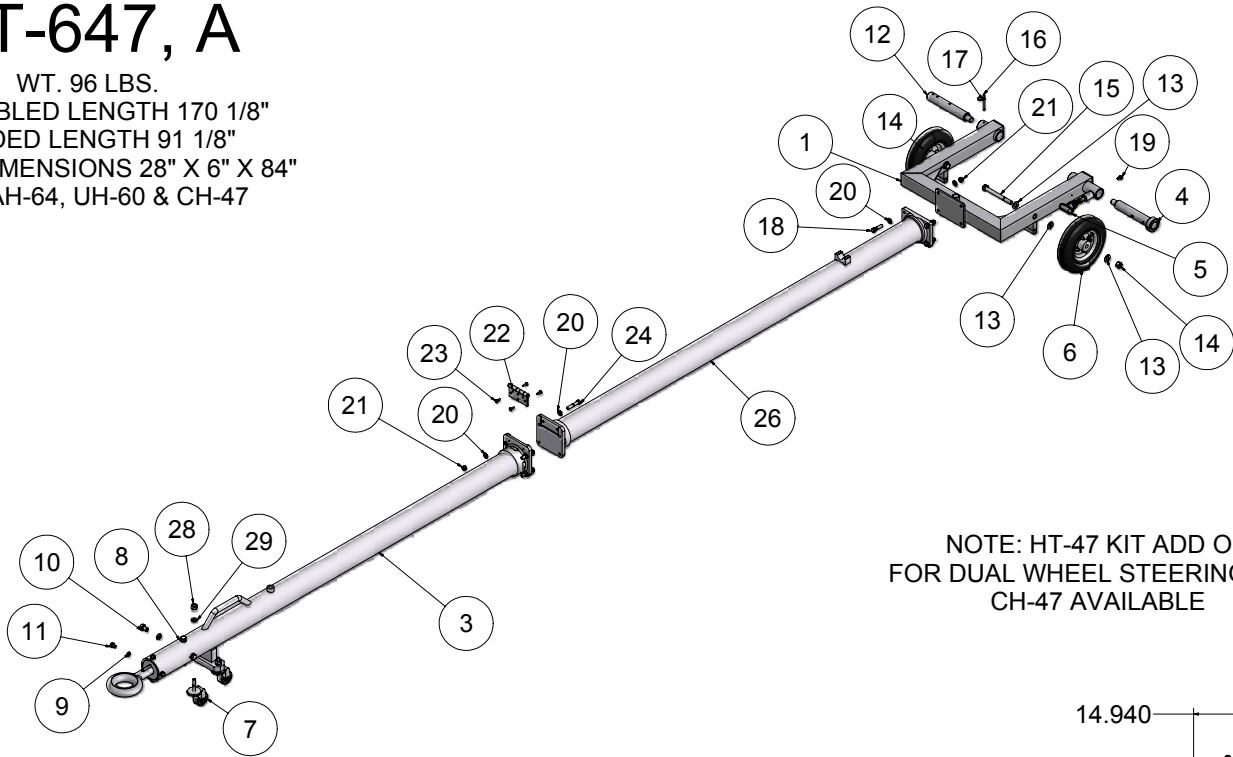
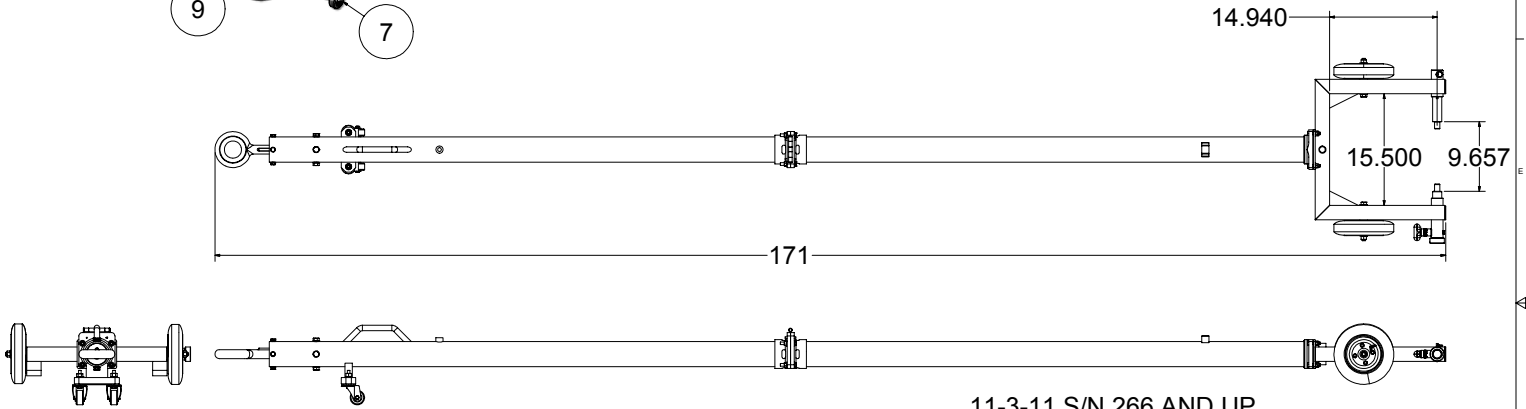


# HT-647, A

WT. 96 LBS.  
 ASSEMBLED LENGTH 170 1/8"  
 FOLDED LENGTH 91 1/8"  
 BOXED DIMENSIONS 28" X 6" X 84"  
 FITS AH-64, UH-60 & CH-47



NOTE: HT-47 KIT ADD ON  
 FOR DUAL WHEEL STEERING FOR  
 CH-47 AVAILABLE



## HT-647, A

ITEM	QTY	PART NUMBER	DESCRIPTION
1	1	HT47-01-00B	YOKE ASSEMBLY
2	1	HT47-11-00	TUBE ASSEMBLY (647)
3	1	HT47-10-01A	TUBE ASSEMBLY (647A)
3	1	HT47-10-01	TUBE ASSEMBLY (647)
4	1	HT47-02-00	PIN ASSEMBLY
5	1	90222A112	LOCKING PIN ASSEMBLY
6	2	647-TW-2.80-4	TIRE WHEEL ASSEMBLY
7	2	647-C-.375-16-2.50	CASTER WHEEL
8	4	647-LW-.500	LOCK WASHER
9	4	647-LW-.375	LOCK WASHER
10	4	647-B-.500-13-1.00	BOLT
11	4	647-B-.375-16-1.00	BOLT
12	1	HT47-02-10	PIN
13	6	647-W-.500-SAE	WASHER
14	2	647-LN-.500-13	LOCK NUT
15	2	647-B-.500-13-6.00	BOLT
16	1	647-P-.250-1.7	BALL LOCK PIN
17	1	647-LAN-6.00	LANYARD 6"
18	4	647-B-.375-24-1-.50	BOLT
19	1	647-B-.250-20-.50	BOLT
20	16	647-W-.375-SAE	WASHER
21	8	647-LN-.375-24	LOCK NUT
22	1	647-H-3.50	HINGE 1494AS2 (647A)
23	4	647-FS-.250-28-.75	FLAT HEAD SCREW (647A)
24	4	647-B-.375-24-2.00	BOLT (647A)
25	4	647-B-.375-24-1.50	BOLT (647)
26	1	HT47-11-00A	TUBE ASSEMBLY (647A)
27	1	TY-TB-75-07-00A	SHOCK RING ASM.
28	2	647-LN-.500-13	Hex Nuts (Inch Series) Hex Nut
29	2	647-LW-.500	Regular Helical Spring Lock Washers(Inch Series)
N.S.	1	647-B-.250-28	LOCKNUT (647)
N.S.	1	647-B-.250-28-4.00	BOLT (647)