

BRACKETT AIRCRAFT COMPANY INC.

www.brackettaircraft.com

TR-34 UNIVERSAL TOW BAR

TR-34R TOW BAR WITH RING HITCH
TR-34B TOW BAR WITH BALL HITCH
TR-34C TOW BAR WITH CLEVIS HITCH
TR-34SR TOW BAR WITH SHOCK RING HITCH
EXTENDED HITCHES AVAILABLE

SPECIFICATIONS:

MAX. AIRCRAFT GROSS WEIGHT: 14,000 LBS.

LENGTH 7' 8" TO 8' 8"

WEIGHT 35 LBS.

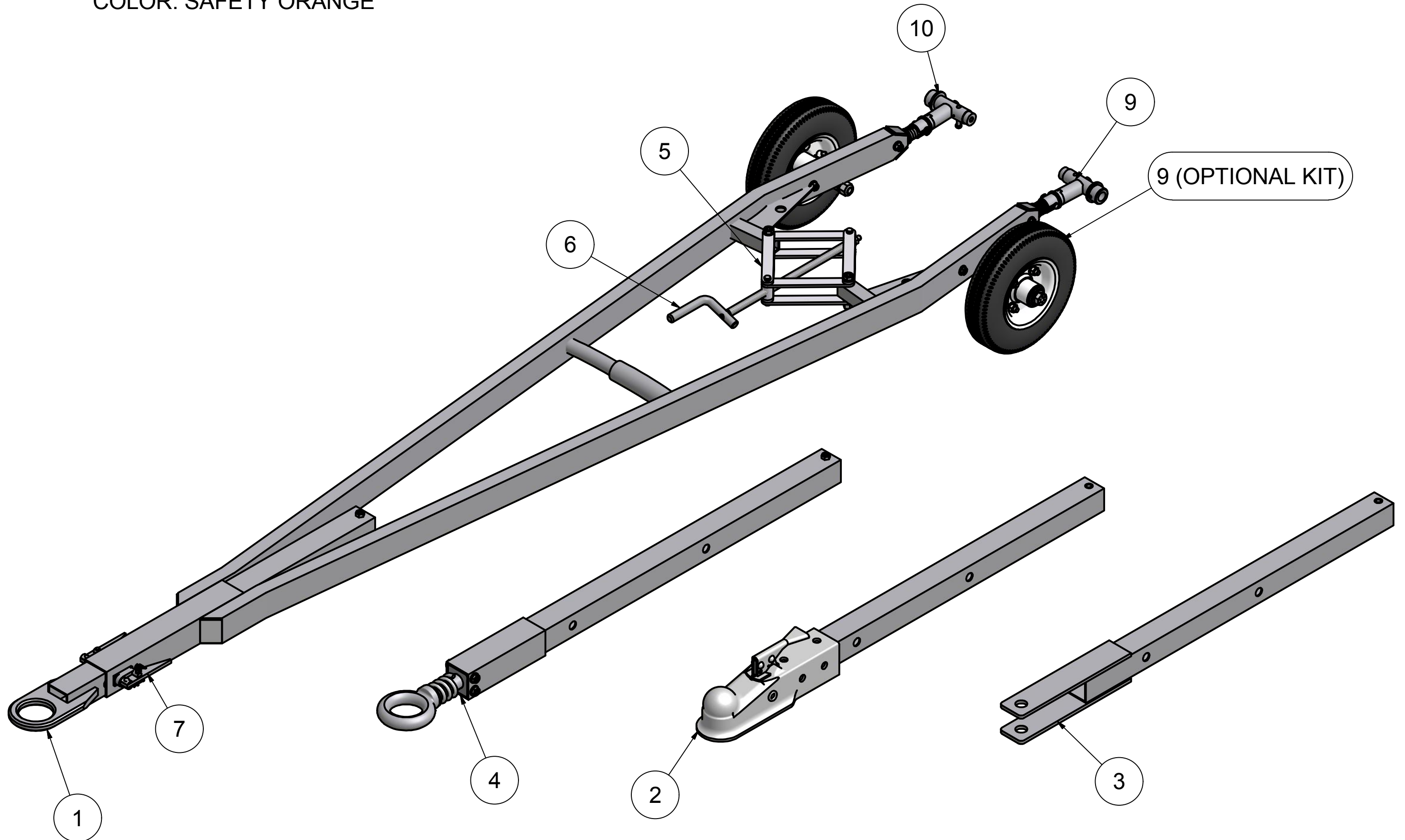
SHIPPING:

WEIGHT: 42 LBS.

BOX DIM.: 96" X 12 1/2" X 3"

SHIPS: UPS

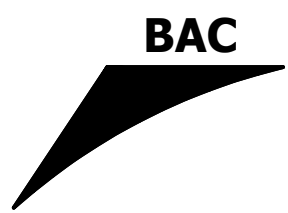
COLOR: SAFETY ORANGE



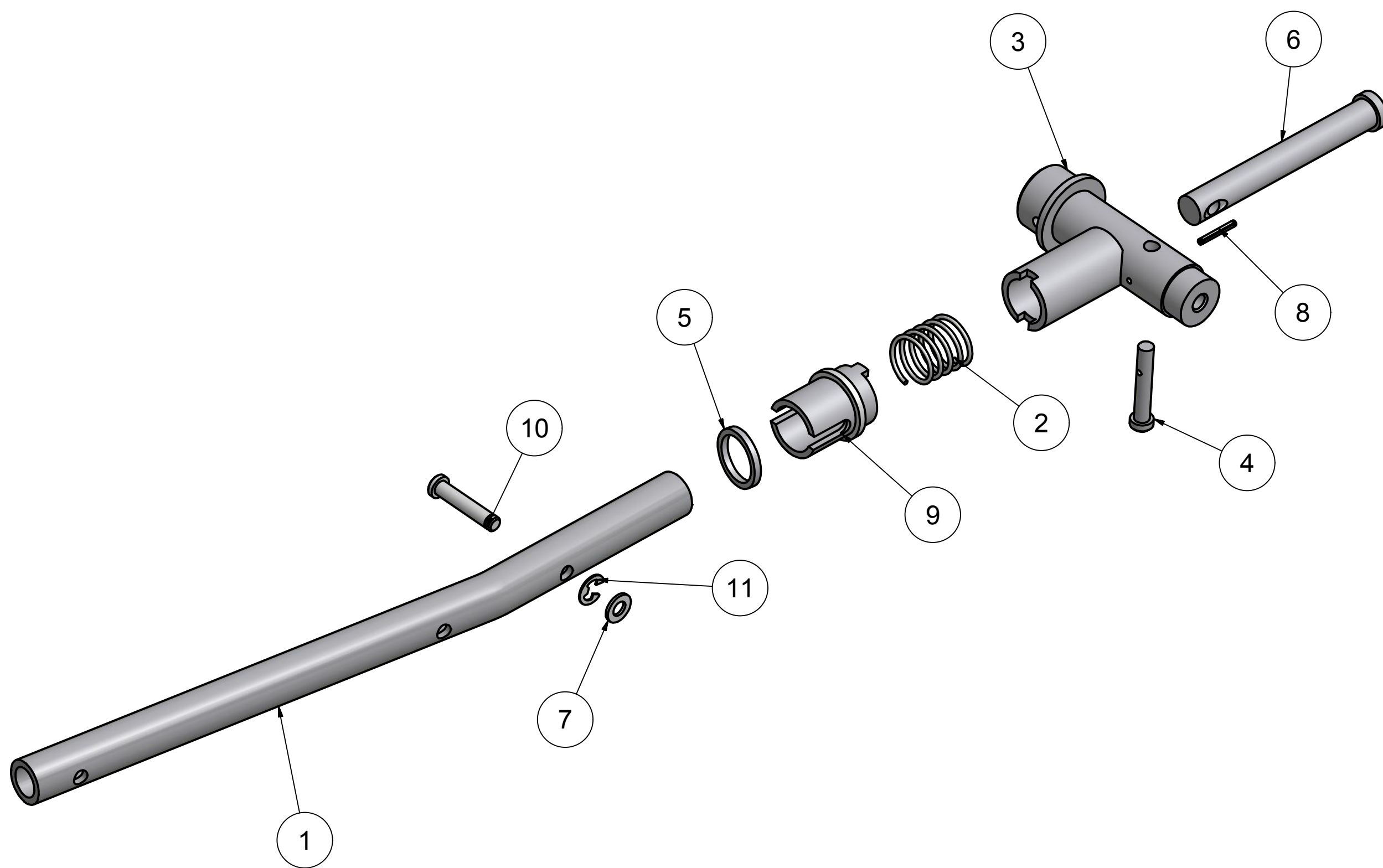
NOTE: 4' VERSIONS OF ALL TONGUES AVAILABLE

PARTS LIST

ITEM	QTY	PART NUMBER	DESCRIPTION
1	1	T-34-01 (TR-34R COMPLETE ASM.)	RING TONGUE ASM.
2	1	T-34-02 (TR-34B COMPLETE ASM.)	BALL HITCH ASSEMBLY
3	1	T-34-03 (TR-34C COMPLETE ASM.)	CLEVIS HITCH ASSEMBLY
4	1	T-34-04 (TR-34SR COMPLETE ASM.)	SHOCK RING ASSEMBLY
5	8	T-109A	STRAP
6	1	T-345	CRANK ASSEMBLY
7	2	T-103	LEVER ASSEMBLY
8	2	T-4W	OPTIONAL WHEEL KIT (1/2 SHOWN)
9	1	T-334L	LEFT END ASSEMBLY
10	1	T-334R	RIGHT END ASSEMBLY

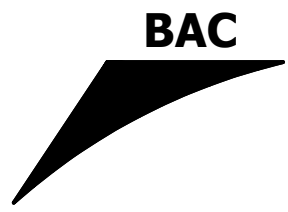


T-334R RIGHT END ASSEMBLY

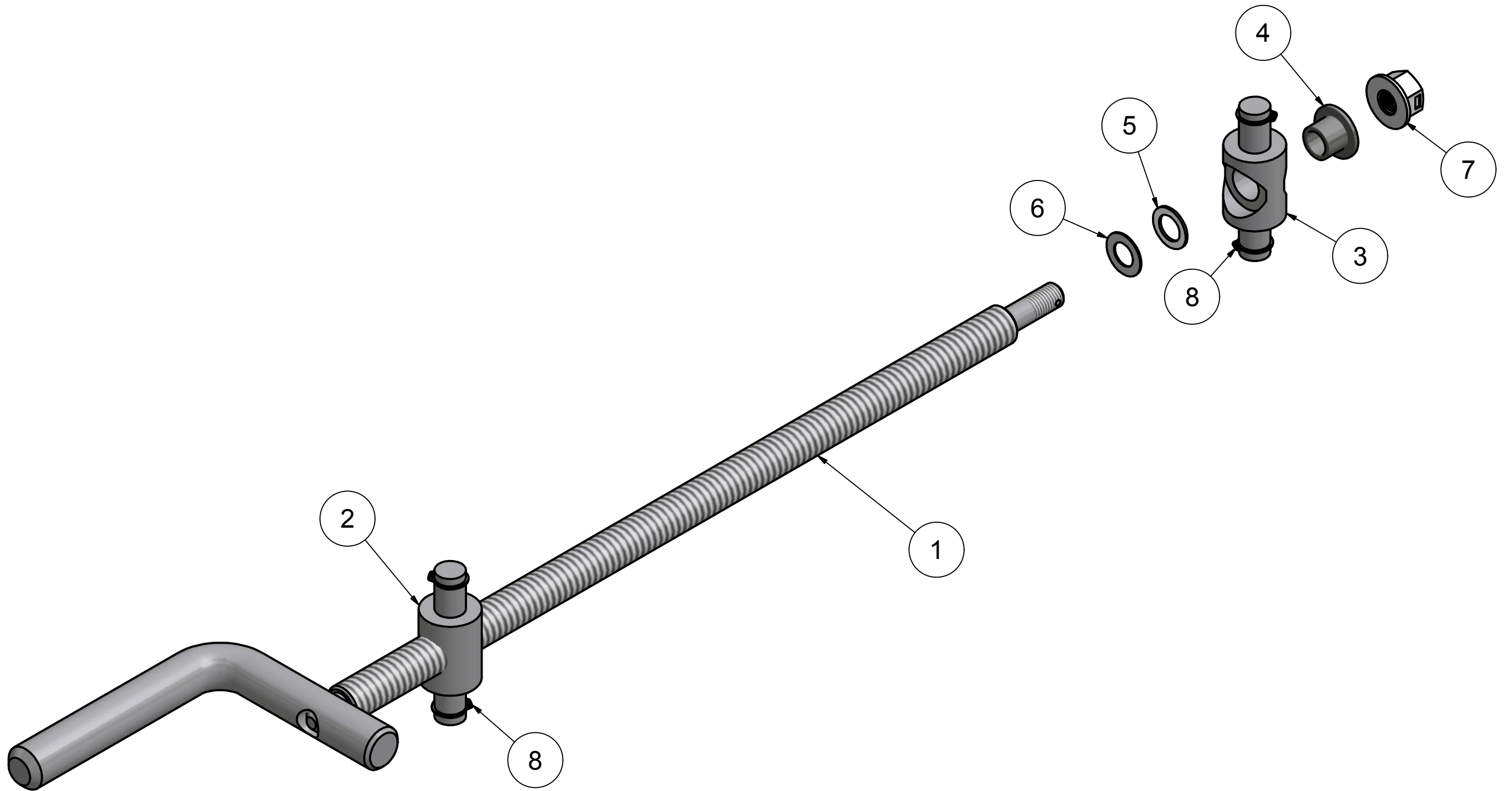


PARTS LIST

ITEM	QTY	PART NUMBER	DESCRIPTION
1	1	T-427	END TUBE
2	1	T-116	SPRING
3	1	T-425	END ASSEMBLY
4	1	T-412	PIN
5	1	T-423	BACKUP WASHER
6	1	T-407	PIN
7	1	AN960-416	1/4 WASHER
8	1	97855A140	3/32 X 3/4 ROLL PIN
9	1	T-420	BARREL ASSEMBLY
10	1	CPG4-103-B	1/4 X 1.025 GROVED CLEVIS PIN
11	1	1400-25	1/4 SNAP RING



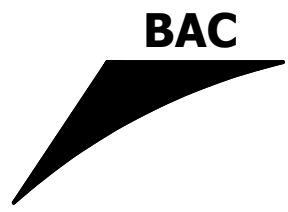
T-345 CRANK ASSEMBLY



SOLD AS A COMPLETE ASSEMBLY
PARTS NOT SOLD SEPARATELY

PARTS LIST

ITEM	QTY	PART NUMBER	DESCRIPTION
1	1	T-108	CRANK ASSEMBLY
2	1	T-112A	ACME TEE
3	1	T-113A	PLAIN TEE
4	1	T-113D	BUSHING
5	1	95647A129	5/16 DELRIN WASHER
6	1	98017A689	5/16 THIN WASHER (AN960-516)
7	1	90949A029	5/16-24 DISTORTED THREAD LOCKNUT
8	4	97633A170	3/8 HEAVY DUTY SNAP RING

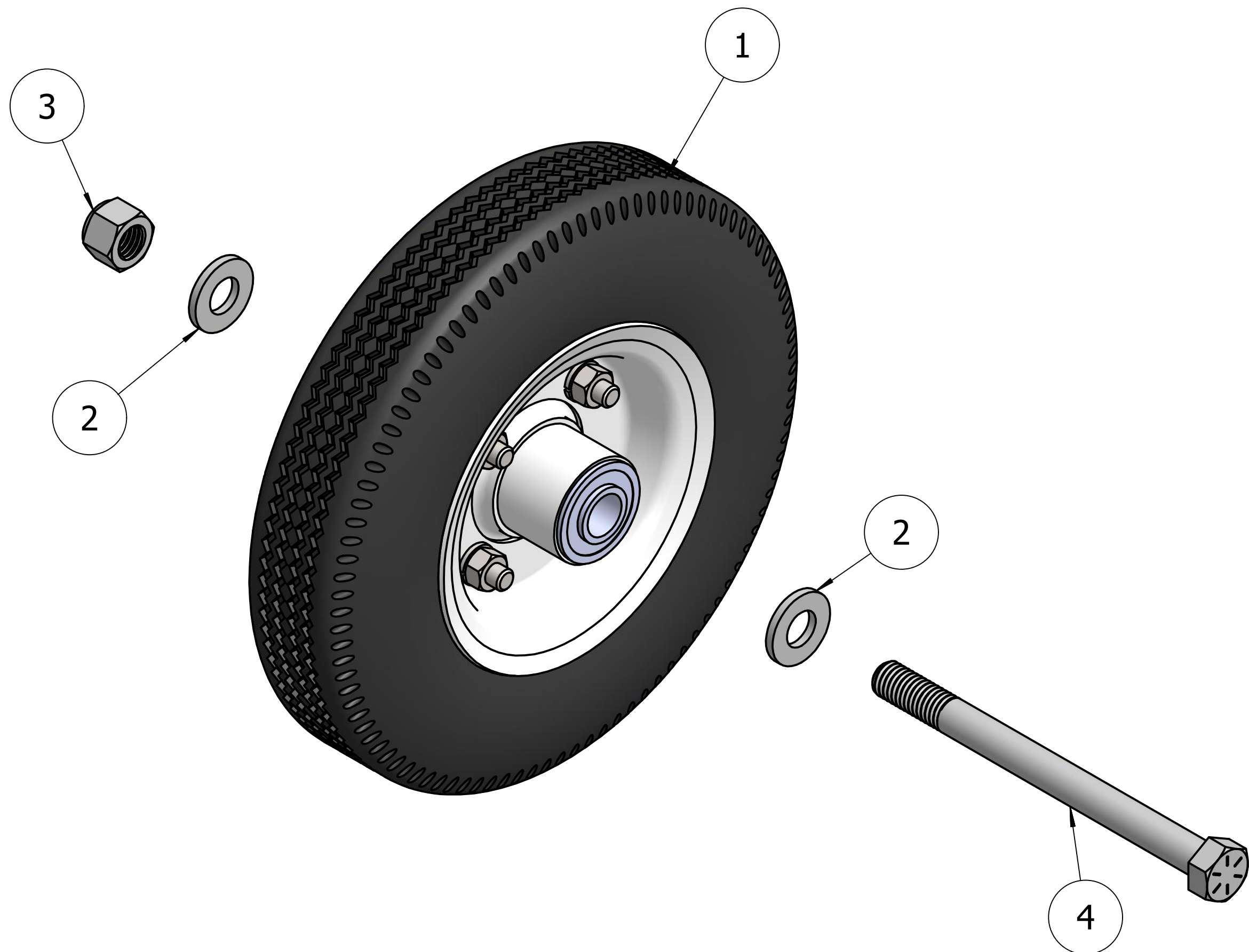


BRACKETT AIRCRAFT COMPANY INC.

www.brackettaircraft.com

T-4W WHEEL KIT

(1/2 OF KIT SHOWN)



PARTS LIST

ITEM	QTY	PART NUMBER	DESCRIPTION
1	2	W-28040	W-2.80/2.50-4 TIRE/WHEEL ASM.
2	4	91950A033	1/2 SAE WASHER
3	2	90630A125	1/2-13 LOCKNUT
4	2	91257A736	1/2-13 X 6 BOLT